

**YOUR SINGLE SOURCE
FOR PERSONAL ELECTRICAL
SAFETY PROTECTION**



Electrosoft

Electrosoft is the range of dielectric gloves from Honeywell Safety Products. Manufactured in Autun Manufacturing site for over 25 years, Electrosoft products are sold all over the world to protect people against dielectric risks.

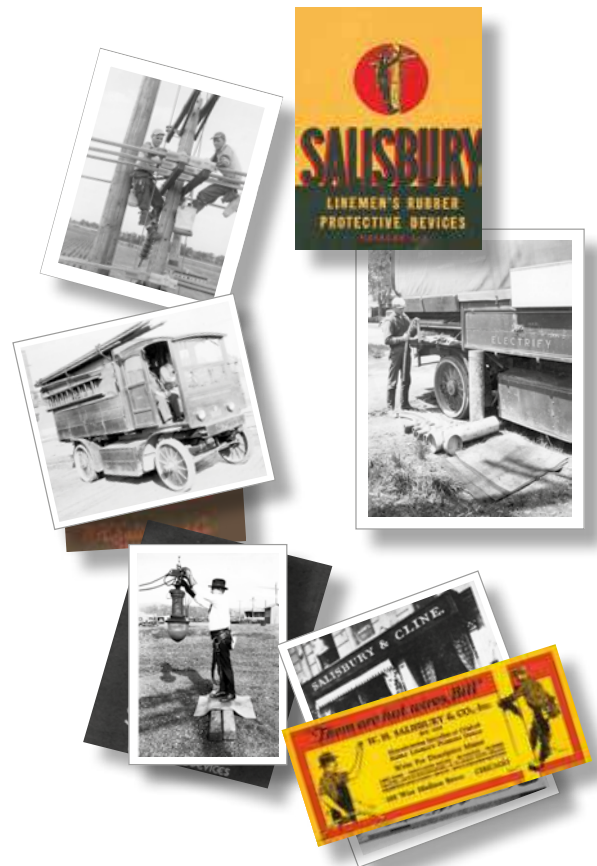
In 1951, SOFRAF is created in Paris and then move 7 years later to the actual manufacturing site, a former mine of carbon. In 1970, the first production of PVC gloves is set up. In 1983, BACOU Group acquires SOFRAF. In 1989, the electrician chain of production is established and first gloves come out from the factory. BACOU Group and DALLOZ group merge in 2001 to become BACOU DALLOZ. A new production line, fully automatic, is set up in 2007 to face increase demand. This same year, BACOU DALLOZ change of name to become SPERIAN PROTECTION which is acquired 3 years later by HONEYWELL. Today, Honeywell and its Electrosoft brand is the leader of dielectric gloves in Europe. Autun Factory is ISO9001: 2008 and ISO14001: 2004 that guarantee a quality of production.

Salisbury by Honeywell Line Equipment

Salisbury has been setting industry standards since 1855. For over 150 years, Salisbury Electrical Safety and its predecessors has been the name an entire industry trusts to provide the finest safety products available. Salisbury pioneered the manufacturing of linemen's Rubber Protective Equipment in the early 1920's.

Back in the early 1900's, Salisbury was approached by a local utility in the Chicago area about general safety. The question raised was how to create a safer working environment for linemen working on energized lines. Salisbury worked with the local utility by taking garden hose and cutting them lengthwise in a way that would cover the lines. These hoses were then secured by electrical tape and this led to the Salisbury patent of line hose in 1924. Over the years, line hose has evolved into the high-quality SALCOR® rubber product you have come to expect.

Today, Salisbury and its Salisbury by Honeywell brand products are the leaders in Personal Electrical-Safety Protection. We know that lives depend on the quality of our products, Salisbury's production facilities are all ISO 9001:2008 registered and are equipped and staffed to manufacture products which conform to the highest possible standards. This has allowed Salisbury by Honeywell to become the world-wide leader in electrical safety equipment. Salisbury has three plants which manufacture Personal Protective Equipment, Hot Line Equipment, and SALVAR® Polymer Insulators. Salisbury produces its rubber products in its own plants using four methods of rubber manufacturing: Injection Molding, Compression/Transfer Molding, Extruding and Dipping. Salisbury dedication to quality has also been carried over to the manufacturing of Hot Line Tools and SALVAR® Insulators. As a result, the name Salisbury by Honeywell on safety products is your assurance that you are using the finest equipment available for the job.





Warning: This Utility Products catalog provides only an overview of the products shown. It does not provide important product warnings and instructions. Salisbury recommends all users of its products undergo thorough training and that all warnings and instructions provided with the products be thoroughly understood prior to use. Salisbury by Honeywell line equipment should be used only by electrical workers who have been thoroughly trained in its correct and safe use. It is necessary to assess hazards in the work environment and to match the appropriate personal protective equipment to particular hazards that may exist. At a minimum, a complete and thorough hazard assessment must be conducted to properly identify the appropriate personal protective equipment to be used in a particular work environment.

FAILURE TO READ AND FOLLOW ALL PRODUCT WARNINGS AND INSTRUCTIONS AND TO PROPERLY PERFORM A HAZARD ASSESSMENT MAY RESULT IN SERIOUS PERSONAL INJURY, ILLNESS OR DEATH.

This catalog contains information, data, documents, pages and images (“Information”) prepared by Salisbury Electrical Safety, LLC (“Salisbury”).

The Information is made available on the understanding that Salisbury and its officers, directors, employees and agents shall have no liability to the users of products set forth herein for any loss, damage, cost or expense incurred or arising out of such person’s use or reliance on the Information, whether caused by reason of any error, negligent act, omission or misrepresentation in the Information or otherwise.

Although Salisbury has prepared the Information contained in this catalog with all due care, Salisbury does not warrant or represent that the Information is free from any errors or omissions.

In addition, while the Information is considered to be true and correct at the date of publication, changes in circumstances after the time of publication may affect the applicability of the Information. Salisbury is not in any way liable for the accuracy of the Information or for the way in which it is interpreted and used.

Contents

Gloves & Sleeves P. 06 | 19

Arc Flash Clothing P. 20 | 29

Face Head Neck P. 30 | 34

Footwear P. 35

Line Hose & Covers P. 36 | 42

Blankets P. 43 | 44

IEC Grounding P. 45 | 48

Insulated Tools P. 49

Jumpers P. 52

Hotsticks P. 53 | 54

Outage P. 55 | 60



Electrical protection

Due to production proficiencies Honeywell Safety Products is able to offer a complete range of products which meet all the expectations of users who work with live wires. Whether natural or composite Latex, our gloves guarantees protection from 500 volts to 36 000 volts operating voltage.

Electrosoft Latex isolating gloves - Cut edge



- Electricity is needed to satisfy growing global energy needs and isolating gloves are one of the most important pieces of equipment of personal protection for electricity professionals. They form the first barrier by blocking contact with electric currents.
- Areas of application include production, transportation, generation and distribution of electricity in industries such as railways, telecommunications and construction and for the installation and maintenance of solar panels and hybrid car batteries, etc.
- Non-supported Latex insulating gloves are recommended to be worn in conjunction with a suitable leather overglove to provide mechanical protection from abrasion, cuts, tears and perforation.
- The natural Latex glove is available in beige or red with a rolled or cut edge, according to the needs of the user.
- The natural Latex base offers excellent dielectric characteristics.
- The thicker the glove the higher the electrical resistance.
- An ergonomic design increases comfort by providing additional softness and allows the glove to be put on and taken off very easily.

Reference	Class	Operating voltage	Length	Size	Category	Colour
20 919 06	0	1.000 V AC	410 mm	8 to 12	RC	Beige
20 919 07	0	1.000 V AC	360 mm	8 to 12	RC	Beige
20 919 03	00	500 V AC	360 mm	7 to 12	AZC	Beige
20 919 11	1	7.500 V AC	410 mm	8 to 12	RC	Beige
20 919 12	1	7.500 V AC	360 mm	8 to 12	RC	Beige
20 902 21	2	17.000 V AC	410 mm	8 to 12	RC	Beige
20 919 21	2	17.000 V AC	360 mm	8 to 12	RC	Beige
20 902 31	3	26.500 V AC	410 mm	8 to 12	RC	Beige
20 919 31	3	26.500 V AC	360 mm	8 to 12	RC	Beige
20 919 41	4	36.000 V AC	410 mm	10 and 12	RC	Beige

Electrical protection

Composite gloves and special gloves

A range of composite gloves manufactured from a natural latex base, covered with an outer layer of polychloroprene that combines mechanical resistance and comfort with a high protection level.



Composite gloves incorporate both electrical and mechanical protection. A hammer is shown on each glove to highlight that it has been tested against cutting, perforation and wear and tear.

Composites

- **Interior flocked cotton (for classes 00 and 0):** high density cotton is sprayed on the inside of the glove: better comfort because of sweat absorption.
- Chlorinated version are available to make putting on and taking off the gloves easier.
- **Patterned finishes:** good grip in damp conditions; particularly useful for outdoor work.
- **Protection from electric arc in the event of a short circuit:** the structure of the material shows excellent qualities against electric arcs.



Reference	Class	Operating voltage	Length	Size	Category	Finish
20 920 14	0	1.000 V AC	360mm	8 to 12	RC	Chlorine, patterned palm
20 920 15	0	1.000 V AC	360mm	7 to 12	RC	Flocked, patterned palm
20 920 16	0	1.000 V AC	410mm	7 to 12	RC	Flocked, patterned palm
20 92S 14**	0	1.000 V AC	360mm	8 to 12	RC	Chlorine, patterned palm
20 920 17	1	7.500 V AC	410mm	9 to 12	RC	Patterned fingers
20 920 27	2	17.000 V AC	410mm	9 to 12	RC	Patterned fingers
20 920 28						
20 920 11	00	500 V AC	360mm	7 to 12	RC	Chlorine, patterned palm
20 920 13	00	500 V AC	410mm	7 to 12	RC	Flocked, patterned palm
20 920 12	00	500 V AC	360mm	7 to 12	RC	Flocked, patterned palm
20 92S 11*	00	500 V AC	360mm	8 to 12	RC	Chlorine, patterned palm

*2092S11 = 2092011 + liner glove RGT 550M (see next page)
 **2092S14 = 2092014 + liner glove RGT 550M (see next page)

Special gloves: IsoArc™ and Long Composite

- **IsoArc™ is designed to be flame-resistant**, and guarantees electrical insulation up to 1000 V (it is not a composite). IsoArc™ is very thin and soft, enabling electricians to perform the most precise jobs. Independent testing has shown how the external polychloroprene layer of the IsoArc™ offers very good flame resistance, so that electricians are better protected in the event of an electric arc.

Reference	Name	Class	Operating voltage	Length	Size	Category	Finish
20 920 02	IsoArc	0	1.000 V AC	360mm	7 to 12	RC	Chlorine, patterned palm

New

Bicolor gloves

- **Two colours increase safety.** The glove's bi-colour design (exterior: red; interior: beige) makes it easier and quicker for workers to recognize damage to the gloves (e.g., cuts, abrasion or tears). Simple and precise, this method saves time and improves safety. In case of damage the beige colour appears immediately and highlights the defect.
- **Additional features:** Third party lab tests show resistance vs. arc flash

Reference	Class	Operating voltage	Length	Size	Category	Colour
20 910 74	0	1.000 volts AC	410 mm	7 to 12	RC	Red and beige
20 910 73	00	500 volts AC	360 mm	7 to 12	AZC	Red and beige
20 910 75	1	7.500 volts AC	410 mm	7 to 12	RC	Red and beige
20 910 76	2	17.000 volts AC	410 mm	8 to 12	RC	Red and beige
20 910 77	3	26.500 volts AC	410 mm	8 to 12	RC	Red and beige
20 910 78	4	36.000 volts AC	410 mm	10 to 12	RC	Red and beige



Liner gloves

RGT550M - Tricoton Mitt
Cotton liner glove mitten - Minor risk - Size 8 to 11



Overgloves

Overgloves are used to provide mechanical protection from abrasion, cuts, tears and perforation. Three different overgloves are available for low, medium and high voltage.



- Cowhide silicone grain leather is flexible, water repellent and provides excellent mechanical protection.
- Velcro® strap closure for good maintenance.
- Protects Electrosoft gloves against mechanical risks.
- 1.1mm thickness
- Length 31cm

LT	MT	HT
Low voltage	Medium voltage	High voltage
2.5kV/5kV	10kV	20kV/30kV
Ref. 20 128 97	Ref. 20 128 98	Ref. 20 128 99

Protective Rubber Equipment Labeling Chart for Salisbury Natural Rubber

Rubber insulating gloves are available in six ASTM/IEC defined voltage classes. Rubber dipped sleeves are available in Class 0 through 4. The chart below identifies the class, proof test voltage and maximum allowable exposure voltage.

* Max. Use Voltage when worn with leather protectors. Insulating Gloves and Sleeves must have a color coded label to meet appropriate ASTM Specifications.



Class Color	Proof Test Voltage AC / DC	Max. Use Voltage* AC / DC	Rubber Molded Products Label	Insulating Rubber Glove Label	Insulating Rubber Dipped Sleeve Label
00 Beige	2,500 / 10,000	500 / 750			
0 Red	5,000 / 20,000	1,000 / 1,500			
1 White	10,000 / 40,000	7,500 / 11,250			
2 Yellow	20,000 / 50,000	17,000 / 25,500			
3 Green	30,000 / 60,000	26,500 / 39,750			
4 Orange	40,000 / 70,000	36,000 / 54,000			

Salisbury Rubber insulating Gloves

Salisbury Rubber insulating Gloves

HIGH VOLTAGE - ASTM CLASS 1, 2, 3, 4
& LOW VOLTAGE - ASTM CLASS 00, 0



- **CLASS 1 THROUGH 4 GLOVES** are available in black or in contrasting two-color combinations. The contrast between the thin outer color against the inner color makes inspecting for cuts and tears easier when the glove is inflated or stretched. Manufactured in the USA Salisbury Class 1,2,3,4 Gloves meet or exceed ASTM D120 and IEC EN60903 standards.

- Class 1 through 4 gloves are available in **STRAIGHT CUFF, CONTOUR CUFF and BELL CUFF** in 14," (356 mm), 16" (406 mm) and 18" (457 mm) lengths. Sizes 7-12 including half sizes and in Black, Red/Black and Yellow/black color combinations.

- **SELECTING THE RIGHT SIZE, LENGTH AND STYLE**

Salisbury linemen's gloves are available in a full range of sizes, from 7 through 12, including half sizes on 8, 9, and 10. Proper fit is important. To determine glove size, measure the circumference around the palm. Allow for additional room if fabric glove liners are to be worn, especially with thermal liners.

- **SALISBURY LOW VOLTAGE CLASS 00 AND 0 GLOVES** are available in 11 and 14 inch lengths.

- **CLASS 00** Electrical Insulating Rubber Gloves are made from red, black or yellow Type I natural rubber.

- **CLASS 0** Electrical Insulating Rubber Gloves are available in red, black or yellow.



Straight Cuff
E114RB/7

Straight Cuff
E418B/9H



Bell Cuff
E316BCRB/9

Bell Cuff
E418BCYB/9



Contour Cuff
E318CYB/8H

SALISBURY ADVANTAGE

Salisbury gloves are extremely flexible making it easy to work with small parts. The gloves meet or exceed ASTM D120 and IEC EN60903 Standards.

Salisbury Rubber insulating Gloves

Rubber insulating gloves standard offering*

HIGH VOLTAGE - IEC/ASTM CLASS 1, 2, 3, 4
& LOW VOLTAGE - IEC/ASTM CLASS 00, 0

LOW Voltage gloves - Standard offering*

CLASS	GLOVE CUFF STYLE	LENGTH IN. (mm)	COLOR	SIZE
E00	STRAIGHT	11 (279)	B, R	7, 8, 8H, 9, 9H, 10, 10H, 11, 12
E00	STRAIGHT	14 (356)	B, R	7, 8, 8H, 9, 9H, 10, 10H, 11, 12
E0	STRAIGHT	11 (279)	B, R	7, 8, 8H, 9, 9H, 10, 10H, 11, 12
E0	STRAIGHT	14 (356)	B, R	7, 8, 8H, 9, 9H, 10, 10H, 11, 12

HIGH Voltage gloves

CLASS	GLOVE CUFF STYLE	LENGTH in. (mm)	COLOR	SIZE
E1	Straight Cuff	14 (356) , 16 (406)	B, RB	7, 8, 8H, 9, 9H, 10, 10H, 11, 12
E2	Straight Cuff	14 (356) , 16 (406)	B, RB	7, 8, 8H, 9, 9H, 10, 10H, 11, 12
E3	Straight Cuff	16 (406), 18 (457)	RB	7, 8, 8H, 9, 9H, 10, 10H, 11, 12
E4	Straight Cuff	16(406), 18 (457)	B, RB	9, 9H, 10, 10H, 11, 12

CLASS	GLOVE CUFF STYLE	LENGTH IN. (mm)	COLOR	SIZE
E2	BELL CUFF	14 (356)	RB	8, 8H, 9, 9H, 10, 10H, 11, 12
E3	BELL CUFF	16 (406)	RB	8, 8H, 9, 9H, 10, 10H, 11, 12

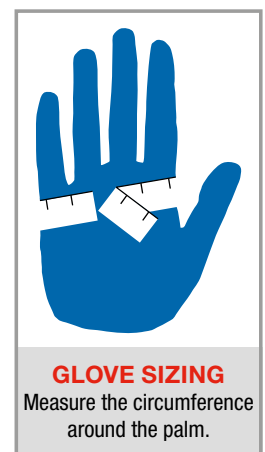
CLASS	GLOVE CUFF STYLE	LENGTH IN. (mm)	COLOR	SIZE
E3	CONTOUR	18 (457)	RB	7, 8, 8H, 9, 9H, 10, 10H, 11, 12
E4	CONTOUR	18 (457)	RB	9, 9H, 10, 10H, 11, 12



E011B/8



E011R/7



* Minimum order quantities may apply to certain standard glove options.
Please contact EMEA Customer Service for a complete minimum order quantity glove part list.
Other color combination, length and cuff may be available on demand.

Salisbury next generation gloves: Electriflex™ gloves

Introducing Electriflex™, the most flexible rubber insulating glove we've ever made. Designed to give linemen the ultimate in comfort and control, these gloves minimize hand fatigue and maximize performance— all while giving you best-in-class protection



STANDARDS INFORMATION

ASTM D120 EN60903 Standard Specification for Rubber Insulating Gloves

ELECTRICAL SPECIFICATIONS

Class	AC Proof Test Voltage, rms, V	DC Proof Test Voltage, avg, V	Maximum Use Voltage AC, rms, V	Maximum Use Voltage DC, avg, V
2	20000	50000	17000	25500
3	30000	60000	26500	39750
4	40000	70000	36000	54000

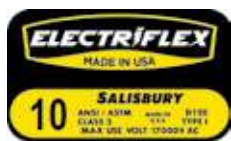
ORDERING INFORMATION

CLASS	GLOVE CUFF STYLE	LENGTH in. (mm)	COLOR	SIZE
NG2	Straight Cuff	16 (406)	B	7, 8, 8H, 9, 9H, 10, 10H, 11, 12
NG3	Straight Cuff	16 (406)	B	7, 8, 8H, 9, 9H, 10, 10H, 11, 12
NG4	Straight Cuff	16 (406)	B	9, 9H, 10, 10H, 11, 12

PRODUCT MARKING

Patch attached to the cuff of each glove at the back of the hand	Includes Salisbury, ASTM D120 Compliance, Size, Max Use Voltage, Class, Type, Color coded based on class
Serial Number marked on each glove near cuff on thumb side	Provides product traceability

Other color combination, length and cuff may be available on demand.



Patch Class 2, Type I, Size 10



Patch Class 3, Type I, Size 10



Patch Class 4, Type I, Size 10



Leather Protectors

ILP Series

Manufactured from top grain cowhide, or goatskin, these protectors provide excellent protection for rubber insulating gloves at a very economical price. Cowhide cuffs are tough leather on palm side and orange vinyl on the back, while the goatskin cuffs are green leather on palm side and orange vinyl on back. A full offering of styles is available from 10" through 16" contour cuff. Leather protectors are available in size 7, dual sizes 8/8.5 through 11/11.5 and size 12.

CAT. NO.	OAL LENGTH in. (mm)	WEIGHT EA. lbs. (kgs)
ILP SERIES - COWHIDE		
ILP3S*	12 (305)	1 (.5)
ILP4S*	13 (330)	1 (.5)
ILP5S*	14 (356)	1.2 (.5)
ILP6S* / **	15 (381)	1.2 (.5)
ILP10*	10 (254)	.7 (.32)

*To specify goatskin, use ILPG. Goatskin not available in size 7.
Available in sizes: 7, 8/8.5, 9/9.5, 10/10.5, 11/11.5, 12
** Not available in size 7.



ILPG10



ILP3S



ILP7C

Next Generation Leather Protectors

Next Generation Leather Protectors are manufactured from top grade cowhide and goatskin leather. Protectors are crafted using heavy duty 4ply cotton thread and are equipped with a nonmetallic buckle for a secure fit.

Salisbury by Honeywell is proud to introduce the Next Generation Leather Protector which is designed exclusively for the insulated Electriflex™ rubber gloves. These new leather protectors offer utility workers the comfort and dexterity needed to get the job done. Next Generation Leather Protectors are available in a variety of whole and half sizes in three different lengths, 12", 14" and 16". The redesigned leather protector was constructed to help amplify the flexibility of the Electriflex™ gloves.

To help amplify the flexibility of the Electriflex™ Gloves, we redesigned our leather protectors:

- Clute design for a more customized fit with Electriflex™
- Crafted with premium grade leather
- Durable cowhide cuff for tough working conditions
- Goatskin hand protection ensures comfort, flexibility and better dexterity

CAT. NO.	STYLE	OAL LENGTH in. (mm)	WEIGHT EA. lbs. (kgs)
NEXT GENERATION LEATHER PROTECTORS			
NGILP3S	Straight Cuff	12" (305)	0.50 (0.23)
NGILP5S	Straight Cuff	14" (355)	0.62 (0.28)

Available in sizes: 8, 8.5, 9, 9.5, 10, 10.5, 11, 12



Making a Proper Inspection

G100

Insulating equipment shall be inspected before each day's use and immediately following any incident that can reasonably be suspected of having caused damage. Insulating gloves shall be given an air test, along with the inspection. Salisbury's **G100** with **G100A ADAPTER FOR CLASS 00 AND 0** and smaller size gloves are the perfect answer for inflating your gloves for inspection.

CAT. NO.	DESCRIPTION
G99B	Replacement Bag
G99S	Replacement Strap
G99V	Replacement Check Valve
G100	Glove Inflator Kit with Adapter
G100A	Low Voltage Glove Adapter



SALISBURY ADVANTAGE

The G100 is also a simple and easy to use, portable glove inflator. The G100 operates exactly like the G99, but includes an additional G100A adapter to also inspect Class 00 and 0 and smaller gloves. To use the adapter, the glove is secured to the G100A adapter using a nylon strap with a hook and pile closure. The adapter, with glove attached, is then placed on top of the inflator to be inflated for inspection.

Glove Storage & Gloves Kits

Canvas glove bags


Proper storage extends the service life of linemen's gloves. Folds and creases strain rubber and cause it to crack from ozone exposure prematurely. By storing rubber gloves in the right size bag, and never forcing more than one pair into each bag, equipment will lie flat and last longer.

Salisbury bags are constructed of heavy duty canvas duck and are double stitched and riveted at stress points for extra durability. Canvas bags feature a D ring for hanging in trucks or on work belts. Bags feature tapered gussets with wide opening tops for easy insertion..



GB116

CAT. NO.	FOR GLOVE Length in. (mm)	DIMENSIONS inches (mm)	WEIGHT EA. lbs. (kgs)
26 OZ. CANVAS GLOVE BAGS			
GB112	11 (280)	9" x 14" (229 x 356)	1 (.5)
GB114	14 (356)	9" x 16" (229 x 406)	1 (.5)
GB116	16 (406)	9" x 18" (229 x 457)	1.2 (.6)
GB118	18 (457)	9" x 20" (229 x 508)	1.5 (.7)

SALISBURY by Honeywell							
Linemen's Gloves							
Manufactured and tested in accordance with the current ASTM D120 specification.							
CATALOG NO.	TYPE	CLASS	LENGTH	CUFF	COLOR	SIZE	CATEGORY
E0011BL/9	1	2	16	ST	B	10	AHCZ
4090 Azalea Dr. Charleston, SC 29405		www.Salisburybyhoneywell.com			Made in Charleston, SC USA ISO 9001 Registered Facility		

Linemen's Sleeves

Rubber Insulating Sleeves



RUBBER INSULATING SLEEVES extend coverage of the arm from the cuff of rubber insulating gloves to the shoulder; fully protecting these areas from accidental contact with energized conductors and equipment. Salisbury sleeves feature a reinforcing fold at the cuff. This fold is preferred over a rolled bead because it adds less bulk to the cuff and fits into the glove easier without pushing. Two different processes are used to manufacture insulating sleeves; dipping and molding. Both meet the current requirements of ASTM D1051 and offer the same high level of quality and protection.

SIZING

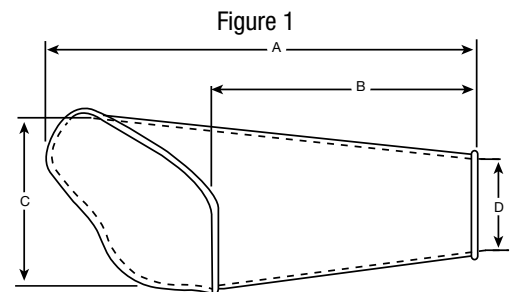
Sleeves should be selected to fit the arm comfortably, covering from the top of the shoulder to inside the top of the glove. To minimize the possibility of the sleeves pushing gloves off the hand, size the sleeve to the shortest length possible while maintaining complete coverage to the shoulder.



Sizing Linemen's Sleeves

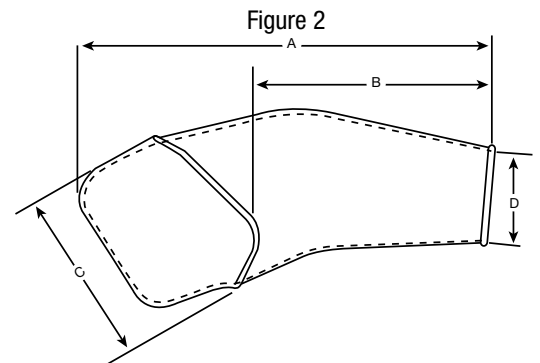
STRAIGHT ARM SLEEVE- Figure 1

A in. (m)	B in. (mm)	C in. (mm)	D in. (mm)
SMALL			
24.25 (616)	15.13 (384)	12.5 (317)	5.75 (146)
REGULAR			
26.25 (667)	15.5 (394)	11.25 (286)	5.5 (140)
LARGE			
28.5 (724)	17 (432)	12.87 (327)	6.87 (175)
EXTRA LARGE			
30 (762)	19 (483)	13.25 (337)	6.87 (175)



EXTRA CURVED ARM SLEEVE- Figure 2

A in. (mm)	B in. (mm)	C in. (mm)	D in. (mm)
SMALL			
24.25 (616)	15.13 (384)	12.5 (317)	5.75 (146)
REGULAR			
26.5 (673)	15.5 (394)	12.25 (311)	5.25 (133)
LARGE			
27.75 (705)	16 (406)	12.87 (327)	6.87 (175)
EXTRA LARGE			
29.5 (749)	17.5 (445)	12.87 (327)	7 (178)



Dipped Linemen's Sleeves

Dipped sleeves

DIPPED SLEEVES are manufactured in the same way as Salisbury rubber insulating gloves. Porcelain forms are dipped into liquefied rubber, dried, trimmed, marked and cured. Every sleeve receives the same quality inspections and electrical testing before shipping. Dipped sleeves are available in the same colors as dipped gloves, including two color combinations.

Salisbury offers two popular styles of dipped linemen's sleeves: straight and extra-curved. Both styles are available in solid color or color combination, size and voltage class. Most importantly, all are made to the same rigid levels of quality demanded by Salisbury.

Cat. no. breakdown for dipped type I sleeves

VOLTAGE CLASS	SIZE	COLOR	
D1	S, R, L or XL	Y = Yellow	ST
D2	R, L or XL	YB = Y inside, B out	ST, EC
D3	R, L or XL	BR = B inside, R out	ST, EC

R=regular, L=large or XL=extra large
Add suffix "-ST" to order straight cuff or "-EC" to order extra-curved cuff
Example: D2LYB-ST is a Large Yellow inside, Black outside Straight Cuff Dipped sleeve

Straight Arm
D2RYB-ST



Sleeve Storage & Accessories

Sleeves accessories

Folds and creases strain rubber and cause it to crack from ozone prematurely. By storing rubber sleeves in the right size bag, and never forcing more than one pair into each bag, equipment will lie flat and extend the life of the product.

Salisbury bags are constructed of heavy duty canvas duck and are double stitched and riveted at stress points for extra durability. Canvas bags feature a D ring for hanging in trucks or on work belts. Bags feature tapered gussets with wide opening tops for easy insertion.

SALISBURY ADVANTAGE

The T32 bag contains a crush resistant lining to create a more protective environment for your sleeves.

ACCESSORIES

Sleeve buttons, straps and harnesses are required to wear rubber insulating sleeves properly. Four buttons, two straps and one harness is required per pair of sleeves.

CAT. NO.	DESCRIPTION	WEIGHT EA. lbs. (kgs)
CANVAS SLEEVE BAG		
T31	30" x 9.5" (762 x 241 mm)	1.5 (.7)
T32	30" x 13" (762 x 330 mm)	3 (1.4)
BUTTONS		
B2	One Piece Sleeve Button	.2 (.01)
B22	4 Screw Type Buttons	.8 (.04)
STRAPS		
S1	(2) 15" (381 mm) Straps w/ 4 B2 Buttons	.1 (.005)
S1NB	(2) 15" (381 mm) Straps	.1 (.005)
HARNESSES		
H1	Harness w/ 4 B2 Buttons	1 (.45)



B22
Two-piece sleeve button
4 required per pair of sleeves



B2
One piece sleeve button
4 required per pair of sleeves

Cleaners and Supplies

RUB-OUT®

- **RUB-OUT®** is a non-petroleum-based hand cleaner for workers who wear rubber gloves and sleeves. It dissolves and removes grease, oil, ink, tar, pipe dope, creosote, paint and more without harming natural rubber or SALCOR® rubber. Product cleans with or without water and contains skin conditioners that leave a fresh citrus scent.
- **SALISBURY'S RUB-OUT® Towelettes** are pre-moistened, heavy duty hand cleaner towels that work fast to loosen, dissolve, and absorb dirt and grease, and will not harm rubber gloves! Our powerful yet safe cleaning agents work together with an absorbent, non-scratching abrasive cleaning towel. The citrus-based formula easily removes soil from your hands and leaves them cleaned and conditioned anywhere you're working. And after cleaning your hands, there is enough absorbency to clean your tools and other surfaces with the same towel. These shop size (10.5" x 12.25") durable towels quickly remove tough-to-clean substances including lubricants, tar, oils, wax, caulk and much more.
- **TEN-FOUR® GLOVE DUST** is a cooling, frictionless powder that absorbs moisture and perspiration when wearing rubber gloves. Provides extra comfort while preventing gloves from getting sticky. The 5-oz. bottle easily fits in a pocket or glove bag. The 4-quart bulk package is used in test labs as a dusting powder when cleaning and testing.
- **SUPER SALCO® Cleaner** is a concentrated detergent with a special grease release formula that removes oils, grease and dirt from natural rubber and SALCOR® rubber equipment. Suitable for washing linemen's rubber gloves, sleeves and other specialty equipment, by hand or in commercial washing machines. Also works well on fiberglass and other materials. Just dilute with water, apply with a rag or sponge and rinse thoroughly.
- **SALCON® Silicone Spray** is specially formulated to reduce friction on SALCOR® only. Forms an oxygen barrier which helps reduce corona cutting and weather checking on rubber equipment. May also be used to spray spark plugs and battery terminals in damp weather to assist in starting.



1460



S5



1461



1451



10-4



S99

CAT. NO.	DESCRIPTION	WEIGHT EA. lbs. (kgs)
RUB-OUT® HAND CLEANER		
1451	16 oz. (.45 kg) can, 12/pack	16 (7.3)
1453	Dispenser for 4.5 lbs. (2 kg) can	1 (.5)
RUB-OUT® TOWELETTES		
1460	Bucket of 60, 6 buckets / Case	14 (6.4)
1461	Single Packets, 100 Singles / Case	3 (1.4)
TEN-FOUR® GLOVE DUST		
10-4	12 @ 5 oz. (170g) squeeze bottles	5.5 (2.2)
10-4-4QT	4 quarts (3.8 ltrs.) bulk, single	8 (3.6)

CAT. NO.	DESCRIPTION	WEIGHT EA. lbs. (kgs)
SUPER SALCO® DETERGENT		
S4	1 gal (3.8 ltr.) jugs, 4 pack	54 (24.5)
S5	5 gal (19 ltr.) drum	49 (22.3)
S55	55 gal (208 ltr.) drum	540 (245)
SALCON® SILICONE SPRAY		
S99	Aerosol can	16 oz. (.454)

PRO-WEAR® Arc Flash protection Premium / 8 - 20 cal/cm²

ARC FLASH Protection Coveralls

- 8 cal/cm² to 20 cal/cm² ATPV ratings
- Made from arc flash resistant material
- Sewn with Nomex® thread
- Full cut with set in sleeves
- Arc rated hook and pile front closure
- 30" Inseam
- Expansion back
- 2-Ply Nomex® wristlets
- Hook and pile cuff opening
- Meets current ASTM F1506 and NFPA 70E standards.

Standard sizing includes size S-3XL. Other sizes are available by special order.

NOTE: Garments that have received CE 1020 certification will be marked accordingly.

CAT. NO.	DESCRIPTION
ACCA11BL	12 cal/cm ² , Navy blue
ACCA20BL	20 cal/cm ² , Navy blue

NOTE: Available in larger sizes upon request. Contact your local Salisbury Representative for details.

NOTE: Add suffix for desired size: S, M, L, XL, 2XL or 3XL

ACCA11BL



ARC FLASH Protection Overpants

- Overpants have full elastic waistband with arc rated hook and pile front closure
- 30" Inseam
- Overpants have hook and pile cuff adjustment

SALISBURY EXCLUSIVE

The Salisbury overpants provide a quick and cost-effective way to maximize protection. Loose design and flared legs make it easy to put on and take off over existing work clothing.

CAT. NO.	DESCRIPTION
ACP1130BL	12 cal/cm ² , Overpants, Navy blue*
ACP2030BL	20 cal/cm ² , Overpants, Navy blue*

*NOTE: Add suffix for desired size: S, M, L, XL, 2XL or 3XL

*NOTE: Available in larger sizes upon request. Contact your local Salisbury Representative for details.

ACP830BL



Elastic waistband for maximum comfort.



PRO-WEAR® Flash Protection Coats / 8 - 100 cal/cm²

ARC FLASH Protection coats

- 8 cal/cm² to 100 cal/cm²* ATPV ratings
- 8 cal/cm² to 75 cal/cm²* coats are made from arc flash resistant material
- 100 cal/cm²* coat is made from TuffWeld® and Q/9® material layers
- Sewn with Nomex® thread
- 32" Long
- Nomex® wristlets
- Dual stage front closure with high temperature plastic zipper on the 31 - 100 cal/cm²* coats
- Arc Rated hook & pile storm flap
- Coats are intended to be used with PRO-HOODS
- Meets current ASTM F1506 and NFPA 70E standards



Standard sizing includes size S-3XL.
Other sizes are available by special order.

NOTE: Garments that have received CE 1020 certification will be marked accordingly.

CAT. NO.	DESCRIPTION
ACC1132BL	12 cal/cm ² , Navy blue
ACC2032BL	20 cal/cm ² , Navy blue
ACC3132RB	31 cal/cm ² , Royal blue
ACC4032PLT	40 cal/cm ² , Premium Light Weight, Green
ACC5532GY*	55 cal/cm ² , Gray
ACC7532GY*	75 cal/cm ² , Gray
ACC10032TW*	100 cal/cm ² , Khaki, TuffWeld®

NOTE: Add suffix for desired size: S, M, L, XL, 2XL, or 3XL

NOTE: Other sizes available by special order contact your local Salisbury Representative for details.

ACC4032PLT



ACC3132RB



ACC10032TW



EXCLUSIVE FEATURE



Dual stage front closure with high temperature plastic zipper and arc rated hook & pile storm flap on 31-100 cal/cm² coat designs.



***Important:** NFPA 70E does not have a Hazard Risk Category above 40 cal/cm². Working on levels above 40 cal/cm² should be avoided because of the blast hazards caused by arc flash.

PRO-WEAR® Arc Flash protection Bib Overalls / 8 - 100 cal/cm²

ARC FLASH Protection Bib Overalls

- 8 cal/cm² to 100 cal/cm²* ATPV ratings
- 8 cal/cm² to 75 cal/cm²* Bib overalls are made from arc flash resistant material
- 100 cal/cm²* bib overalls are made from TuffWeld® and Q/9® Material layers
- Sewn with Nomex® thread
- Integrated heavy duty suspenders
- Relaxed cut for greater mobility
- 30" inseam
- Adjustable hook and pile waist straps
- Bib front for added protection
- Adjustable gussets on pant cuffs
- Standard sizing includes size S-3XL. Other sizes are available by special order.
- Meets current ASTM F1506 and NFPA 70E standards

NOTE: Garments that have received CE 1020 certification will be marked accordingly.

NOTE: Available in larger sizes upon request. Contact your local Salisbury Representative for details.



ACB2030BL



ACB3130RB

CAT. NO.	DESCRIPTION
ACB1130BL	12 cal/cm ² , Navy blue
ACB2030BL	20 cal/cm ² , Navy blue
ACB3130RB	31 cal/cm ² , Royal blue
ACB4030PLT	40 cal/cm ² , Premium Light Weight, Green
ACB5530GY*	55 cal/cm ² , Gray
ACB7530GY*	75 cal/cm ² , Gray
ACB10030TW*	100 cal/cm ² , Khaki, TuffWeld®

NOTE: Add suffix for desired size: S, M, L, XL, 2XL, or 3XL

NOTE: Available in larger sizes upon request. Contact your local Salisbury Representative for details.

If You Need it, Request it. Call customer service if you need something not seen here.

LIGHTEST IN THE INDUSTRY
11 OZ/YD² TOTAL FABRIC WEIGHT



ACB10030TW



ACB4030PLT



***Important: NFPA 70E does not have a Hazard Risk Category above 40 cal/cm². Working on levels above 40 cal/cm² should be avoided because of the blast hazards caused by arc flash.**

PRO-HOOD® Flash Protection Hood / 8 - 100 cal/cm²

PRO-HOOD® ARC FLASH Protection Hoods

- 8 cal/cm² to 100 cal/cm²* ATPV ratings
- 8 cal/cm² to 75 cal/cm²* Hoods are made from arc flash resistant material
- 100 cal/cm²* Hood is made from TuffWeld® and Q/9® material layers
- Sewn with Nomex® thread
- Arc rated 10" x 20" anti-fogging replaceable lens
- Slotted bracket
- Hook and pile tabs to attach Salisbury's PRO-AIR™ belt mounted compact air system
- One size fits all
- Meet current ASTM F2178 and NFPA 70E standards and the flammability requirements for ASTM F1506



LFH40PLT
W/FLKIT

CAT. NO.	DESCRIPTION
FH11BL	12 cal/cm ² , Navy blue
FH20BL	20 cal/cm ² , Navy blue
FH31RB	31 cal/cm ² , Royal blue
LFH40PLT	NEW 40 cal/cm ² Arc flash lift front hood
FH40PLT	NEW 40 cal/cm ² , Premium Light Weight, Green
FH55GY*	55 cal/cm ² , Gray
FH75GY*	75 cal/cm ² , Gray
FH100TW*	100 cal/cm ² , Khaki, TuffWeld®

IMPROVED LENS CLARITY
31 CAL/CM², 40 CAL/CM² & 55 CAL/CM²

FH31RB



FH40PLT



***Important:** NFPA 70E does not have a Hazard Risk Category above 40 cal/cm². Working on levels above 40 cal/cm² should be avoided because of the blast hazards caused by arc flash.

THE ULTIMATE BACK PACK, storage bag & Face Shield Bag

Storage bags

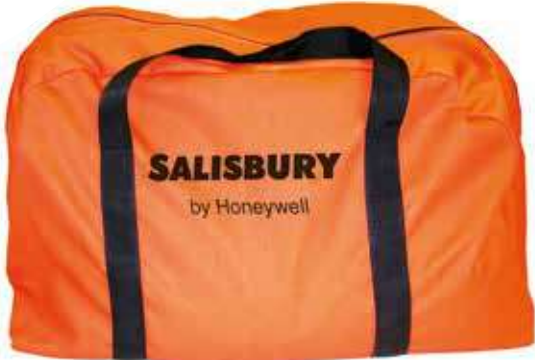
EVERYTHING YOU NEED IN ONE CONVENIENT LIGHT WEIGHT BACKPACK. THE SALISBURY SK BACKPACK is specifically designed to hold virtually everything from tools to full Personal Protective Equipment (PPE) kits. Specialized reinforced compartments with flap closures are located on both sides of the pack and include flexible slots designed specifically to keep your hand tools in place. The individual compartments make finding the right tool a snap. The backpack can even be personalized to hold your very own PPE kit - clothing, head and face protection, insulated tool kit and much more. The interior includes extra large compartments to hold voltage detectors or other specialized tools, as well as numerous, smaller partitions and a specific area for first aid items.

The rugged SK BACKPACK is manufactured from water resistant, reinforced fabric. The SK BACKPACK is resistant to cuts and abrasion. The adjustable, heavy duty straps are wide and padded making it very comfortable to wear regardless of the load. The SK BACKPACK includes an exterior hard hat strap, D-rings and universal snap hook. It even includes a built-in integrated handle for those on the move.

LARGE STORAGE BAG for storing Salisbury PRO-WEAR® Arc Flash Clothing, gloves and other accessories. Comes standard in most PRO-WEAR kits. Bag is 24" long x 15" high x 12" deep.



SKBACKPACK



SKBAG

CAT. NO.	DESCRIPTION
SKBACKPACK	Reinforced specialty backpack (14"L x 8"W x 18"H)
SKBAG	Large storage bag (24"L x 12"W x 15"H)

PRO-WEAR® Personal Protection Equipment Kits

Kit 8 - 12 - 20 cal/cm² HRC 2

Salisbury PRO-WEAR® Arc Flash Personal Protective Equipment Kits available in ATPV ratings of 8, 12 and 20 cal/cm². These kits contain arc flash coat, bib overalls, PRO-HOOD®, hard hat, SKBAG and safety glasses.

- 2-COLOR 8 cal/cm² and 12 cal/cm² PRO-WEAR Arc Flash Protection PPE Kits available.
- Standard sizing includes size S-3XL. Other sizes are available by special order.
- These kits meet NFPA 70E Hazard Risk Category 2.

PRODUCT NUMBERING CHART FOR 8 CAL/CM² TO 20 CAL/CM² PPE KITS

Salisbury Cat. No.	SIZE of Garments (choose one below)	ATPV Rating cal/cm ²	HRC	COLOR
SK11	S, M, L, XL, 2XL or 3XL	12	2	Navy
SK20	S, M, L, XL, 2XL or 3XL	20	2	Navy
Example: SK8M	M	8	2	Navy

SK8M is a medium clothing kit with a rating of 8 cal/cm² that contains a coat, bib overalls, PRO-HOOD®, hard hat, safety glasses and storage bag.
NOTE: Available in larger sizes upon request. Contact your local Salisbury Representative for details.



SK11

Kit 31 cal/cm² HRC 3

Salisbury PRO-WEAR® Arc Flash Personal Protection Equipment Kits are available in an ATPV rating of 31 cal/cm². This kit contains an arc flash coat, bib overalls, PRO-HOOD®, hard hat, SKBAG and safety glasses.

- Standard sizing includes size S-3XL. Other sizes are available by special order.
- This kit meets NFPA 70E Hazard Risk Category 3.

PRODUCT NUMBERING CHART FOR 31 CAL/CM² PPE KITS

Salisbury Cat. No.	Size of Garments (choose one below)	ATPV Rating cal/cm ²	HRC
SK31	S, M, L, XL, 2XL or 3XL	31	3
Example: SK31S	S	31	3

SK31S is a small clothing kit with a rating of 31 cal/cm² that contains a coat, bib overalls, PRO-HOOD®, hard hat, safety glasses and storage bag.
NOTE: Available in larger sizes upon request. Contact your local Salisbury Representative for details.



SK31

PRO-WEAR® Personal Protection Equipment Kits

Kit 40 cal/cm² HRC 4

Salisbury PRO-WEAR® Arc Flash Personal Protection Equipment Kits available in ATPV rating of 40 cal/cm². This kit contains an arc flash coat, bib overalls, PRO-HOOD®, hard hat, SKBAG and safety glasses.

- 2-COLOR PRO-WEAR® Arc Flash Protection PPE Kits available.
- Standard sizing includes size S-3XL. Other sizes are available by special order.
- These kits meet NFPA 70E Hazard Risk Category 4

PRODUCT NUMBERING CHART FOR 40 CAL/CM² PPE KITS

Salisbury Cat. No.	Size of Garments (choose one below)	ATPV Rating cal/cm ²	HRC	Description
SK40PLT	S, M, L, XL, 2XL or 3XL	40	4	Khaki
SK40PLT-LFH40	S, M, L, XL, 2XL or 3XL	40	4	Khaki
Example:				
SK40PLTL	L	40	4	Kakhi
SK40PLTL-LFH40	L	40	4	Kakhi

SK402XL is an extra extra large clothing kit with a rating of 40 cal/cm² that contains a coat, bib overalls, PRO-HOOD®, hard hat, safety glasses and storage bag.
 Add – “LFH40” to any 40 calorie kit to replace the standard hood with our new Lift Front Hood.
 NOTE: Available in larger sizes upon request. Contact your local Salisbury Representative for details.

LIGHTER MATERIAL THAN EVER 40 CAL/CM² “PLT” MATERIAL OFFERS EXTREMELY LIGHT WEIGHT OPTION.



Kit 55 and 75 cal/cm² HRC 4

Salisbury PRO-WEAR® Arc Flash Personal Protection Equipment Kits available in ATPV rating of 55 and 75 cal/cm²*.

These kits contains an arc flash coat, bib overalls, PRO-HOOD®, hard hat, SKBAG and safety glasses.

- Standard sizing includes size S-3XL. Other sizes are available by special order.
- These kits meet NFPA 70E Hazard Risk Category 4.

PRODUCT NUMBERING CHART FOR 55 CAL/CM² & 75 CAL/CM² PPE KITS

Salisbury Cat. No.	Size of Garments (choose one below)	ATPV Rating cal/cm ²	HRC
SK55*	S, M, L, XL, 2XL or 3XL	55	4
SK75*	S, M, L, XL, 2XL or 3XL	75	4
Example:			
SK55XL	XL	55	4

SK552XL is an extra large clothing kit with a rating of 55 cal/cm² that contains a coat, bib overalls, PRO-HOOD®, hard hat, safety glasses and storage bag.

SK75



***Important:** NFPA 70E does not have a Hazard Risk Category above 40 cal/cm². Working on levels above 40 cal/cm² should be avoided because of the blast hazards caused by arc flash.

PRO-WEAR® Personal Protection Equipment Kits

Kit 100 cal/cm² HRC 4

Salisbury PRO-WEAR® Arc Personal Protection Equipment Kits are available in an ATPV an rating of **100 cal/cm²***. This kit contains an arc flash coat, bib overalls, PRO-HOOD®, hard hat, SKBAG and safety glasses. Made from fabric which offers inherent arc rated protection with a high level of comfort and durability. Exceptional light weight comfort with superb wicking so you can stay cooler and drier even under demanding conditions.

- Standard sizing includes size S-3XL. Other sizes are available by special order.
- This kits meet NFPA 70E Hazard Risk Category 4.

PRODUCT NUMBERING CHART FOR 100 CAL/CM² PPE KITS

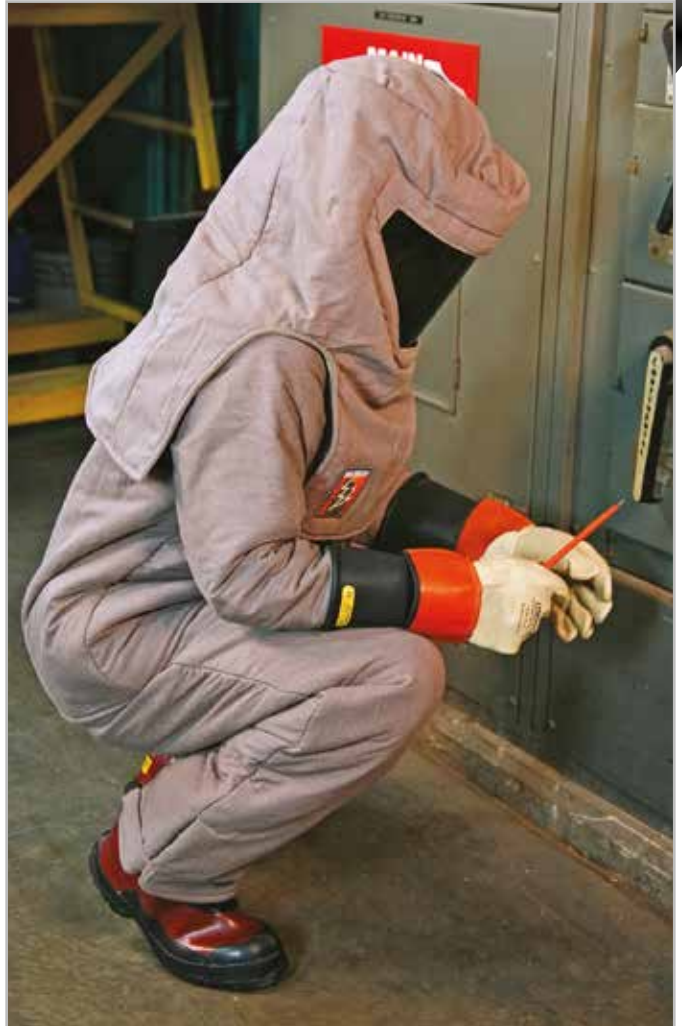
Salisbury Cat. No.	Size of Garments (choose one below)	ATPV Rating cal/cm ²	HRC
SK100*	S, M, L, XL, 2XL or 3XL	100	4
Example: SK100L	L	100	4

SK1002XL is an arge clothing kit with a rating of 100 cal/cm² that contains a coat, bib overalls, PRO-HOOD®, hard hat, safety glasses and storage bag.

If you need it, request it. Call customer service if you need something not seen here.



LIGHTER MATERIAL THAN EVER. 100 CAL/CM² MATERIALS OFFERS A LIGHTER WEIGHT OPTION.



***Important:** NFPA 70E does not have a Hazard Risk Category above 40 cal/cm². Working on levels above 40 cal/cm² should be avoided because of the blast hazards caused by arc flash.

Reusable Protective Clothing

Category 3 - Serious or fatal hazards.

Supple, high-performance, comfortable and designed with built-in fibers (for lasting protection), the **ElecPro2** range combines the utmost protection with the comfort and flexibility of premium quality fabrics.

- **DESCRIPTION:** arc flash resistant garments, box tested Class 2 / 7kA (EN 61482-1-2)
- **SEAMS:** aramid thread.
- **WEIGHT:** 505g/m²: double layer: 250 + 255g/m²
- **COLOR:** dark blue.



IEC 61482-2:2009
(Class 2)



EN ISO 11612:2008
(A1-B1-C1-E1)

ElecPro2



ElecPro2 Jacket

- Mao collar, Velcro® fastening.
- Inside and outside flaps closed by press-studs and Velcro® fastening.
- Semi-elasticated wrist adjustment.
- 2 lower pockets with flap and Velcro®.
- Retro-reflective label with standard pictograms at the bottom right-hand side.

Sizes XS to XXXL



REF.

14 120 07

ElecPro2 Pants

- Zip fastening with flap and press-stud.
- Belt loops and side-elasticated waist.
- 3 pockets: 2 slanted waist pockets, 1 patch pocket with flap and Velcro®.
- Straight leg.

Sizes XS to XXXL



REF.

14 120 08

Reusable Protective Clothing

Category 2 - Intermediate hazards.

Flame-retardant and antistatic, the UnderPro products are worn beneath a jacket, pants, coverall, etc. Lightweight, soft and supple, they ensure added protection and keep the body warm and dry.

- **DESCRIPTION:** to be worn under arc flash PPE to increase safety
- **SEAMS:** aramid thread.
- **WEIGHT:** 205g/m²
- **COLOR:** dark blue.



EN ISO 14116:2008



EN ISO 1149-5:2008

UnderPro

UnderPro Hood

- Hood with front flap and wide shoulder coverage.
- Can be worn under a helmet. Length: 45cm.

Sizes one size



REF.

14 100 09	Single layer
14 100 08	Double layer, ATPV 17,7 cal/cm ²

Underpro Under-Pants

- Waist held up using elastic.
- Elasticated ribbed ankles to keep them off the shoes.
- Central opening.

Sizes S to XXXL



REF.

14 100 13

Underpro Under-Pullover

- Under-pullover with a round neckline.
- Elasticated and ribbed ankles and waist.

Sizes S to XXXL



Protective Face shield

AS1200HAT

AS1200HAT - Salisbury by Honeywell's revolutionary AS1200HAT-CE is a Weight Balancing Arc Flash Protection Face Shield, that stows in a balanced, compact position, centered over the top of the hard hat when not needed. The AS1200-CE are both ATPV and box test rated and utilizes nanotechnology to provide a more transparent window for improved visibility. The shield/window is designed to be easily replaced without tools. The face shield unit includes ventilation ribs that allow a natural convection air flow through the top of the face shield. This reduces fogging of the visor, lowers CO₂ levels and improves comfort for the user.

AS1200 SERIES

- 7.5" x 20" Viewing area
- Extra light tint
- .06" Thick
- Absorbs >99.9% of harmful UV radiation
- Resistant to fogging
- Meets current EN 166, EN 170 and GS-ET-29 standards
- Tested to ASTM F2178 specifications



CAT. NO.	DESCRIPTION
AS1200HAT-CE	12 cal/cm ² weight balancing arc flash protection face shield unit w/hard hat
AS1200HATCLR-CE	AS1200HAT w/ transparent chin guard
AS1200-CE	Weight balancing arc flash protection face shield unit to be used with A79R hard hat; orange chin guard
AS1200U-CE	Weight balancing arc flash protection face shield unit; universal version, orange chin guard.
AS1200CLR-CE	Weight balancing arc flash protection face shield unit to be used with A79R hard hat; transparent chin guard
AS1200UCLR-CE	Weight balancing arc flash protection face shield unit; universal version, transparent chin guard.



NOTE: In order to achieve 360 degree 20 cal/cm² protection, a 20 cal/cm² balaclava must be worn.
NFPA 70E: An arc rated hood shall be used when the anticipated incident energy exposure exceeds 12 cal/cm².

Optional accessories

AS1200 accessories

AFLENS ANTI-FOG INNER LENS

- Includes an air spaced design that decreases fogging
- Natural convection air flow design also helps minimize fogging
- Shield meets the ASTM requirements for an Anti-Fog Lens

ASFL FLAME RESISTANT ATTACHABLE TASK LIGHTS

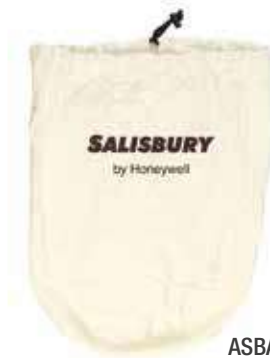
The arc tested ASFL arc rated task light features a high intensity long lasting white LED lamp with an overall brightness of 35 lumens. From a 24 inch distance, the beam is approximately 6-7 inch in diameter. The high intensity illumination is very useful when working up close. 2 AAA batteries provide 14-15 hours of high brightness.

NOTE: The AS1200HAT can hold 2 ASFL task lights. The FLKIT only contains 1 task light and 1 clip.

AS12CLR TRANSPARENT CHIN GUARD

The AS12CLR Transparent Chin Guard dramatically increases the user's peripheral view. The enhanced viewing area increases worker performance and productivity. The highly transparent chin guard allows improved awareness and greater safety.

If you need it, request it. Call customer service if you need something not seen here.



CAT. NO.	DESCRIPTION
AFLENS	Anti-fog inner lens
ASFL	Arc rated attachable task light (1)
AS12CLIP	Replacement clips set (2) for AS1200HAT shield
FLCLIP	Attachable task light clip (1)
FLKIT	Attachable task light (1) & FLCLIP
AS12CLR	Transparent chin guard
AFLENSU	Inner Anti-Fog Lens for PRO-HOOD®
ASBAG	Large face shield storage bag w/ drawstring closure with fleece lined interior (21"L X 19"W X 14"H).
AS120RG	Orange chin Guard for AS 1200 and AS1000

SALISBURY ADVANTAGE ANTI-FOG LENS



NOTE: In order to achieve 360 degree 20 cal/cm² protection, a 20 cal/cm² balaclava must be worn.
NFPA 70E: An arc rated hood shall be used when the anticipated incident energy exposure exceeds 12 cal/cm².

Replacement Arc Flash Protection Lenses

AS1200 & Pro-Hood® Replacement Lenses

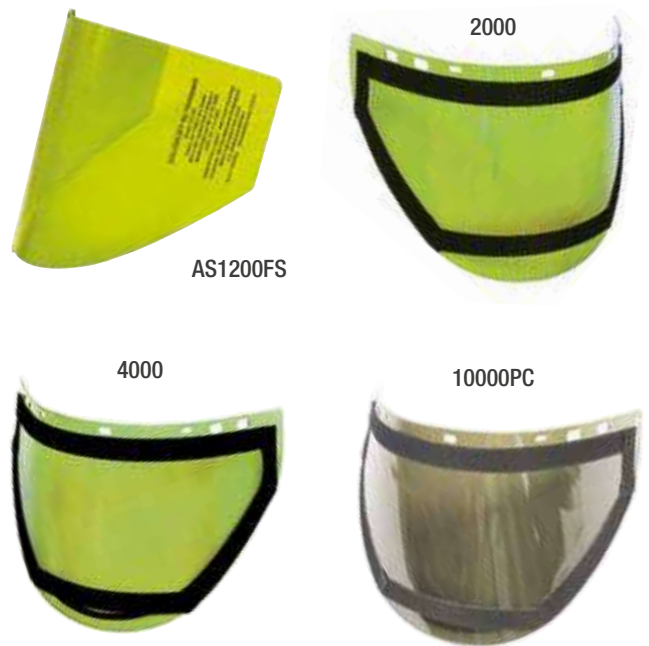
- 8 cal/cm² to 100 cal/cm² ATPV ratings
- 7.5" x 20" Viewing area for replacement AS1000 protective shield lenses
- 10" x 20" Viewing area for replacement PRO-HOOD® lenses
- 4000V and 10000V lenses have two layers of protection
- Extra light tint
- .06" Thick
- Absorbs >99.9% of harmful UV radiation
- Resistant to fogging
- Meets current ANSI Z87.1 and tested to ASTM F2178 specifications

AFLENSU - The universal inner lens is a field installed anti-fog lens for PRO-HOOD® arc flash protective switching hoods. Installs quickly without tools to the inside of the PRO-HOOD® face shield and can be removed for cleaning or replacement.

CAT. NO.	DESCRIPTION
AS1200FS	Replacement window for AS1200HAT, 12 cal/cm ² .
2000	Replacement lens, with hook & pile attachment, for OLDER DESIGN 8 cal/cm ² to 20 cal/cm ² PRO-HOOD®. Single layer lens. Used with the ASSLB, FBBRACKET, or BRACKET brackets.
4000	Replacement lens, with hook & pile attachment, for 31 cal/cm ² to 40 cal/cm ² PRO-HOOD®. Dual layer lens. Used with the ASSLB, FBBRACKET, or BRACKET brackets.
10000PC	Replacement lens, with hook & pile attachment, for 75 cal/cm ² to 100 cal/cm ² PRO-HOOD®. Dual layer lens (clear and tinted). Used with the ASSLB, FBBRACKET, or BRACKET brackets.

UPGRADE YOUR PRO-HOOD® LENS:

IF YOUR FH31RB, FH40GY, OR FH55GY LENS HAS MODEL # IM22-ARCAF6FL-2, YOU SHOULD UPGRADE TODAY TO THE 4000 CLEARER LENS FOR GREATER VISIBILITY.



Replacement Arc Flash Protection Lenses temporary

AS1000 Series Protective Face Shield Units

AS1000 SERIES

- 10 cal/cm² ATPV rating when used with the included chin cup
- 7.5" x 20" Viewing area
- Extra light tint
- .06" Thick
- Absorbs >99.9% of harmful UV radiation
- Resistant to fogging
- Shield meets current ANSI Z87.1 and tested to ASTM F2178 specifications

CAT. NO.	DESCRIPTION
AS1000	AS1000FS Shield w/ integrated chin protector & slotted ASSLB BRACKET. Fits most slotted front brim hard hats.
AS1000U	AS1000FS Shield w/ integrated chin protector & universal BRACKET. Fits most front brim hard hats.
AS1000FB	AS1000FS Shield w/ integrated chin protector & universal FBBRACKET. Fits most full brim hard hats.
AS1000HAT	AS1000 w/ SA79R front brim hard hat.

CAT. NO.	DESCRIPTION
ASBAG	Large face shield storage bag w/ drawstring closure with fleece lined interior (21"L X 19"W X 14"H).



AS1000 Accessories

CAT. NO.	DESCRIPTION
ASCP	Replacement chin cup for AS1000 series shields.
BRACKET	Universal dielectric hard hat bracket. Used with front brim hard hats.
FBBRACKET	Universal dielectric hard hat bracket. Used with full brim hard hats.
ASSLB	Dielectric bracket, fits slotted front brim hard hats. Used with all AS1000 Series lenses.



Eyewear and hard hat

MILLENNIA® 2G

New

Changing the Eyes of Safety.

We have listened to you and your workers. You have clearly explained what your needs are and together we have developed Millennia® 2G.

The newest safety eyewear from Honeywell Safety Product, the Millennia® 2G features simplicity, excellent protection, comfortable fit and stylish design.



REF.	FRAME	LENS	TREATMENT	LENS MARKING
10 321 75	Black	○ Clear	Anti-Scratch	2C-1.2 HON 1 FT K
10 321 79	Black	○ Clear	Fogban/Anti-Scratch	2C-1.2 HON 1 FT K N

- Certified to the requirements of the EN166 standards.
- Millennia® 2G is sold with a lanyard.

PEAK RANGE

New



Multipurpose design helmet with ribbed ABS outer shell.

- New - outer shell in ABS material: Tough, hard and rigid material with good chemical resistance, very high strength to impacts and excellent performance in high and low temperatures (+50°C to -30°C).
- Personalising hard hats: High definition pad printing gives the hard hat a professional customised look. Highly durable ink to print the logo on certain parts of the shell.
- Available with two adjustment systems:
 - Pin-lock: easy to adjust system of interlocking teeth for a firm hold. Simply squeeze the buckle tabs to loosen the band and slide to tighten.
 - Ratchet: features an extra secure and comfortable grip that allows the wearer to place in any position without slipping. Simply twist the ratchet to adjust.



REF.	NAME	SUSPENSION	REPLACEMENT	ADJUSTMENT	MARKING
93317*	A69	6 points, Nylon	633170	Pin-lock adjustment	EN50365
93316*	A79	4 points, Nylon	633160	Pin-lock adjustment	EN50365
93318*	A69R	6 points, Nylon	633180	Ratchet	EN50365
93319*	A79R	4 points, Nylon	633190	Ratchet	EN50365

*Certified to the requirements of the: EN 397 - Specification for industrial safety helmets - EN 50365 - Electrically insulated helmets for use in low-voltage installations

Replacement Arc Flash Protection Lenses

Dielectric footwear EN 50321 – Class 0

DIELECTRIC FOOTWEAR provides extra safety when climbing ladders and poles where the deep heel cavity can lock onto the rungs. These boots and overshoes are 100% waterproof and made from premium grade ozone resistant natural rubber. The construction is hand-layered in full-cut patterns to fit over work boots. The fabric lining makes them easy to get on and off. The dielectric footwear sole has a durable construction with a non-skid bar tread outsole.

Dielectric Footwear comes in four styles all with pole-climbing reinforcement patch. The **OVERSHOE** is available without buckles or with two buckles. The **OVERBOOT** with adjustable side strap features a 14" height or a 17" height. The attached buckle and hardware is nonmetallic.

IMPROVED OVERSHOES - Salisbury now offers improved 51511 non-buckle overshoe and 51512 2-Buckle overshoe. The improved overshoes includes a sole with aggressive tread for better traction. The deep heel and improved arch are specially designed for climbing ladders comfortably. The wider opening allows for easier on/off.

CAT. NO.	DESCRIPTION	SIZES	WEIGHT PR. kgs
21405CE*	17", 1 Buckle Overboot	Whole Sizes 39 - 52	2.6
21406CE *	14" 1 Buckle Overboot	Whole Sizes 39 - 52	2.3

BOB SOLE OVERSHOES

51511CE*	Bob Sole - Non-Buckle Overshoe	Whole Sizes 39 - 52	1.5
51512CE*	Bob Sole - 2 Buckle Overshoe	Whole Sizes 39 - 52	2

* CE Certified footwear

NOTE: When ordering, add size as suffix to part number. Be sure to add a space between the part number and size. Example: 51511 7, for CE Certified footwear 21406CE 10



21405 CE



51512 CE



21406 CE



51511 CE



BOB SOLE

Dielectric mid boot

Electrically insulating boots for working on low voltage installations. Designed to protect workers from electrical shocks/step voltage. Class 0 = protection up to 1000V alternate current. Made with dielectric natural rubber. Individually tested.

PART NUMBER: 6270510

PPE CATEGORY 89/686/EEC: III complex design

STANDARDS: EN 50321:1999 = class 0 ; EN ISO 20347:2012 = OBE HRO SRC

AVAILABLE SIZES: 36 - 37/38 - 39 - 40/41 - 42 - 43 - 44 - 45 - 46/47 - 48

DIMENSIONS AND WEIGHT:

Height (size 42): 310 mm / Weight (size 42): 1.700 g / pair



6270510

Line Hose & Connectors

Conventional System



CAT. NO.	ASTM CLASS	TYPE	DIMENSIONS I.D. X LENGTH		WEIGHT EA. lbs. (kgs)
			in.	(mm)	
SALCOR® STRAIGHT LINE HOSE					
OR100-3	2	II	1" x 3'	(25 x 915)	3 (1.4)
OR100-45	2	II	1" x 4.5'	(25 x 1372)	4 (1.8)
OR100-6	2	II	1" x 6'	(25 x 1820)	5.5 (2.5)
OR125-3	2	II	1.25" x 3'	(31.5 x 915)	4 (1.8)
OR125-45	2	II	1.25" x 4.5'	(31.5 x 1372)	6 (2.7)
OR125-6	2	II	1.25" x 6'	(31.5 x 1820)	7.5 (3.4)
OR150-3	3	II	1.5" x 3'	(40 x 915)	5 (2.3)
OR150-45	3	II	1.5" x 4.5'	(40 x 1372)	7 (3.2)
OR150-6	3	II	1.5" x 6'	(40 x 1820)	9.5 (4.3)
OR200-3	3	II	2" x 3'	(50 x 915)	5.5 (2.5)
OR200-45	3	II	2" x 4.5'	(50 x 1372)	8 (3.6)
OR200-6	3	II	2" x 6'	(50 x 1820)	11 (5.0)
OR250-3	3	II	2.5" x 3'	(63 x 915)	7 (3.2)
OR250-45	3	II	2.5" x 4.5'	(63 x 1372)	10.5 (4.8)
OR250-6	3	II	2.5" x 6'	(63 x 1820)	14 (6.4)

SALCOR® CONNECTOR END LINE HOSE					
OR100-3C	2	II	1" x 3'	(25 x 915)	3.5 (1.6)
OR100-45C	2	II	1" x 4.5'	(25 x 1372)	5 (2.3)
OR100-6C	2	II	1" x 6'	(25 x 1820)	6.5 (2.9)
OR125-3C	2	II	1.25" x 3'	(31.5 x 915)	4.5 (2.0)
OR125-45C	2	II	1.25" x 4.5'	(31.5 x 1372)	6.5 (2.9)
OR125-6C	2	II	1.25" x 6'	(31.5 x 1820)	7 (3.2)
OR150-3C	3	II	1.5" x 3'	(40 x 915)	6 (2.7)
OR150-45C	3	II	1.5" x 4.5'	(40 x 1372)	8 (3.6)
OR150-6C	3	II	1.5" x 6'	(40 x 1820)	9 (4.1)

LINE HOSE CONNECTORS					
ORC100	2	II	1" x 1'	(25.4 x 305)	2.5 (1.1)
ORC125	2	II	1.25" x 1'	(32 x 305)	3.5 (1.6)
ORC150	3	II	1.5" x 11'	(38 x 305)	3 (1.4)



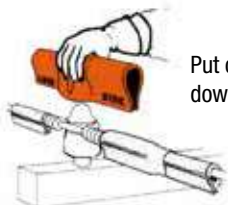
All Line Hose complies with current ASTM D1050 specifications.

Protectors & Covers

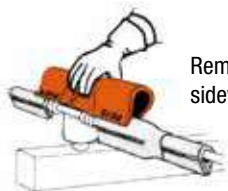
Conventional System

CAT. NO.	CLASS	DESCRIPTION in (mm)	OVERALL DIMENSIONS in (mm)	WEIGHT EA. lbs. (kgs)	
FOR USE WITH					
INSULATOR COVERS		INSULATOR CLASS	LINE HOSE SIZE		
OFRG	2	55-1/2/3	1" (25.4)	14.5" x 5" (368 x 127)	5 (2.3)
OJRG	2	55-4	1" (25.4)	16" x 6.5" (406 x 165)	6 (2.7)
OKRG	3	55-5	1.25", 1.5" (32, 38)	16" x 8" (406 x 203)	7 (3.2)
FOR USE WITH					
DEAD END PROTECTORS		BELL SIZE	LINE HOSE SIZE		
OR101	2	2-6"(152.4)	1" (25.4)	6.5" x 23" (165 x 584)	10 (4.6)
OR114	3	1-4.25" (108)	1.5" (38)	4.75" x 14" (121 x 356)	4 (1.8)
OR124	3	2-4.25" (108)	1.5" (38)	4.75" x 29" (121 x 737)	7.5 (3.4)
CROSS ARM COVERS		USE ON CROSS ARMS UP TO			
145	2	4" x 4.5" (102 x 114)	14.5" x 4.63" x 4.15" (368 x 117 x 105)	3 (1.4)	
1186	4	5.5" x 6" (140 x 152)	17.0" x 6.0" x 5.5" (432 x 152 x 140)	5 (2.3)	
CUTOUT COVERS					
CC24	2	-	24" x 15" x 3.5" (600 x 376 x 88)	5 (2.3)	
CC30	4	-	30" x 20" x 7" (750 x 500 x 175)	10 (4.5)	
REPLACEMENT STRAPS					
N24		For 114 & 124 Series	.75 x 30 (18 x 588)	2 oz. (56.7 g)	
N36		For 101 Series	.75 x 36 (18 x 882)	2 oz. (56.7 g)	

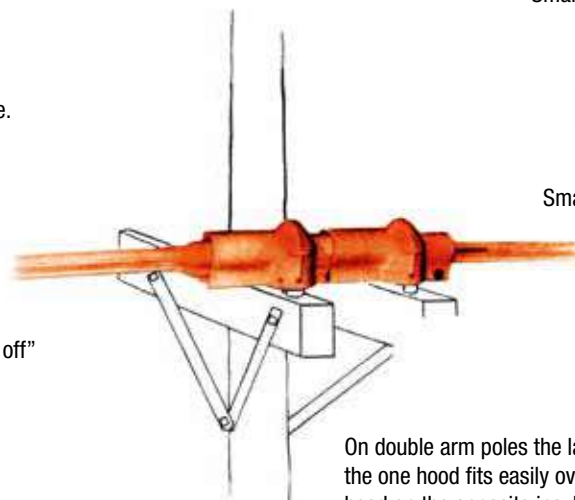
All covers comply with current ASTM D1049 specifications.



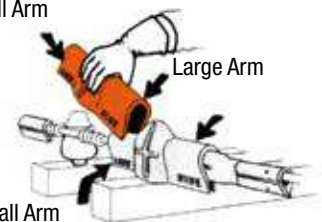
Put on with a firm downward pressure.



Remove by "rolling off" sideways.



Small Arm



Large Arm

Small Arm

Large Arm

Attaching the hoods to opposite insulators on double arms.

On double arm poles the larger extending arm of the one hood fits easily over the small arm of the hood on the opposite insulator.

Extended Lip SU System

Line Hose

The **EXTENDED LIP SU SYSTEM** is the only complete flexible cover-up available for use on voltages through 34.5 kV. Extremely versatile, it may be installed by hand, wearing rubber insulating gloves, from an insulated aerial device or platform, or with hot sticks using the SU applicators.

Manufactured from superior **SALCOR®** Type II elastomer, it is resistant to the effects of ozone and ultraviolet deterioration. It remains flexible even at sub-zero temperatures.

Salisbury's **RIB-GRIP®** construction securely interlocks with its corresponding covers and connectors. Tapered lips facilitate easy starting on the conductors. The contour cut ends accommodate the skirts of pin type insulators and permit the hose to cover the line snug to a saddle or clamp.

Available as **STRAIGHT LINE HOSE** or with a Connector End for easier connection of line hose and covers. A lifting eye is molded on the connector end for removal with hot sticks. Line hose is also available with the #2323 Shot Gun Eye Assembly. Just add a suffix of "E" to the catalog number to order the #2323 Shot Gun Assembly installed on the hose or order the #2323 separately.

NEW SU 150 SERIES MOLDED DESIGN THE NEW MOLDED DESIGN makes for a consistent overall profile, offers greater electrical insulation between the connector and line hose and since the serrations are also molded an improved locking system.

SU SYSTEM CONNECTORS are made from orange SALCOR® Type II. RIB-GRIP construction is used to ensure a strong lock to the straight lengths of SU System Line Hose and covers. The **UC2** is used to connect Extended Lip Hose to PTHL and LRG Insulator Covers, OR134 Dead End Protectors, and 2" (51 mm) and 2.5" (64 mm) SU System and Conventional Line Hose.

CAT. NO.	DIMENSIONS I.D.	FT. (MM) Length	WEIGHT EA. lbs. (kgs)
STRAIGHT LINE HOSE CLASS 4, TYPE II			
*SU150-3	1.5" (38)	3' (915)	6 (2.7)
*SU150-45	1.5" (38)	4.5' (1372)	8.5 (3.8)
*SU150-6	1.5" (38)	6' (1829)	12 (5.4)
SU200-3	2" (51)	3' (915)	6 (2.7)
SU200-45	2" (51)	4.5' (1372)	10 (4.5)
SU200-6	2" (51)	6' (1829)	14 (6.4)
SU250-3	2.5" (63.5)	3' (915)	7 (3.2)
SU250-45	2.5" (63.5)	4.5' (1372)	11 (5.0)
SU250-6	2.5" (63.5)	6' (1829)	15 (6.8)

CONNECTOR END LINE HOSE CLASS 4, TYPE II			
*SU150-3C	1.5" (38)	3' (915)	7 (3.2)
*SU150-45C	1.5" (38)	4.5' (1372)	9 (4.1)
*SU150-6C	1.5" (38)	6' (1829)	12 (5.4)

SU SYSTEM CONNECTORS CLASS 4, TYPE II ASTM D1049			
	Length x Height	Use w/ Line Hose I.D.	
UC	10.5" x 6" (263 x 150)	1.5" (40)	2 (.9)
UC2	10.5" x 7.75" (263 x 194)	2" & 2.5" (51 & 64)	3 (1.4)

Add Suffix "E" to Catalog Number to order with #2323 Shot Gun Eye Assembly (see page B-12).

Example: SU200-45E is a 2" ID x 4.5' Line Hose with a shot gun assembly attached

* MOLDED once piece design

Complies with current ASTM D1050 specifications.



Extended Lip SU System

Dead End Protectors

DEAD END PROTECTORS quickly cover dead end bells or polymer insulators providing complete electrical protection for Class 3 and Class 4 applications.

Easily installed and removed from an insulated platform or aerial device with rubber gloves or SU System Applicators.

All styles have RIB-GRIP® construction to interlock with 1.5" (38 mm) I.D. line hose. The Class 3 U106 and U110 must be used with Connector End style line hose or separate Line Hose Connectors. OR134, Class 4, accepts Straight Line Hose. The outer ribs interlock with 2" and 2.5" I.D. line hose when the UC2 SU System Connector is used.



CAT. NO.	ASTM Class / Type	FITS BELL SIZE in. (mm)	DIMENSIONS I.D. Body	IN. (MM) Overall Length	COLOR	WEIGHT EA. lbs. (kgs)
DEAD END PROTECTORS						
OR134	4 / II	3-4.25 (108)	4.76 (121)	37 (940)	Orange	13 (6)
Add Suffix "E" to Catalog Number to order with #2323 Shot Gun Eye Assembly (see page B-12).						
U106	3 / II	2-6 (152)	7 (178)	28.5 (724)	Black	9 (4.1)
U110	3 / II	2-10 (254)	10.5 (267)	28.5 (724)	Black	10 (4.5)

Add Suffix "E" to Catalog Number to order with #2340 Shot Gun Eye Assembly (see page B-12).

All Protectors comply with current ASTM D1049 specifications.



OR134



U110



RIB-GRIP® Construction

Extended Lip SU System

Insulator Covers

The **UH PIN-TYPE COVER** covers insulators up to ANSI standard C29.5 Class 5. The sides are cut to be used on small insulators without resting on the crossarm. When covering a 7" diameter insulator on a double arm construction, the ends of the cover will meet flush on 10.5" pin centers.

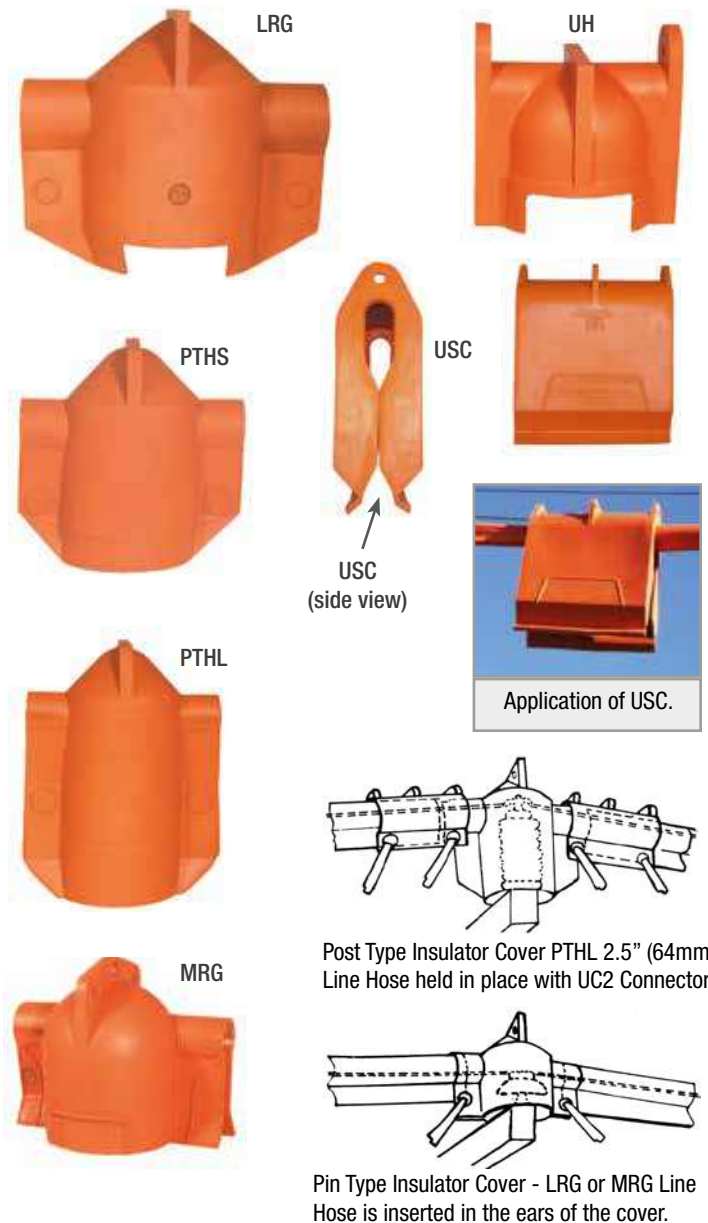
The **LRG SU SYSTEM PIN-TYPE COVER** fits insulators 10.5" (267 mm) in diameter and is used with 2.5" (64 mm) Class 4 Extended Lip SU System Line Hose. Always use clamp pins to secure the device into position. Pinning rings have been placed on the cover's arms to prevent separation.

POST-TYPE INSULATOR COVERS interlock with 1.5" (38 mm) Class 4 Extended Lip SU System or Conventional Line Hose. The PTHS for insulators up to 12" (305 mm) and the PTHL for insulators up to 16" (406 mm) in height. The PTHL cover also has external ribs on the ears which secures 2.5" (64 mm) I.D. line hose. Always use clamp pins to secure the device into position.

The Class 4 **MRG UNIVERSAL COVER** covers pin-type insulators through 8.5" (216 mm) diameter and 13.8 kV post-type insulators. A trim bead permits use on both 35 kV and 15 kV crossarm construction.

The **USC STIRRUP COVER** is a lightweight cover that can be installed using rubber gloves or a hot stick. The USC also feature RIB-GRIP® construction and is meant to be used with Extended Lip SU Systems or Conventional Line Hose.

All covers are made from orange SALCOR® and feature RIB-GRIP® Construction. They can be installed with a hot stick or rubber gloves. All covers comply with ASTM D1049 specifications.



CAT. NO.	ASTM Class / Type	FITS LINE HOSE in (mm)	FITS INSUL. Max Dia in. (mm)	FOR USE W/ INSUL. CLASS	OVERALL DIMENSIONS (mm)		WEIGHT EA. lbs. (kgs)
					I.D. body	Height -in.	
PIN TYPE INSULATOR COVERS							
LRG	4 / II	2.5 (63)	10.5 (263)	55-6	12 (305)	16 (400)	8 (3.6)
MRG	4 / II	1.5-2.5 (40-63)	8.5 (213)	Pin Type 55-5 Post Type 13.2 kV F Neck Post Type 13.2 kV C Neck	9 (221)	12.25 (306)	7 (3.2)
Add Suffix "E" to Catalog Number to order with #2359 Shot Gun Eye Assembly (see page A-13).							
UH	3 / II	1.5 (40)	7 (175)	55-1, 2, 3, 4, 5	7.5 (184)	12 (300)	6 (4.4)
POST TYPE INSULATOR COVERS							
PTHL	4 / II	1.5-2.5 (40-63)	6.5 (163)	57-2	7 (172)	16 (400)	8 (3.6)
PTHS	4 / II	1.5 (40)	7 (175)	57-2	7.5 (184)	12 (300)	4 (1.8)
STIRRUP COVER							
USC	4 / II	1.5 (40)	-	-	14 (263)	15.5 (388)	5 (2.3)

All Covers comply with current ASTM D1049 specifications.

Cable End Caps & Arrester Covers

Cable end caps

Cable End Caps are applied with rubber gloves. They are used on high voltage distribution cable ends found in vaults, cubicles and substations when cable remains energized during work. Cable End Caps are made from Type II orange SALCOR®.

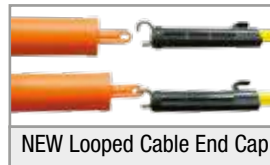
NEW LOOPED CABLE END CAP The Looped Cable End Cap is an improved version of our Self-Securing Cable End Cap in that it allows for versatile applications. The product can be applied with appropriate Rubber Insulating Gloves as with our standard cable end caps, but the looped end feature also enables the product to be applied using a hotstick.

SELF-SECURING CABLE END CAPS for Underground Distribution are rated at 20 kV, and have a minimum wall thickness of .25". They keep moisture and contamination off trimmed cable ends. The self-securing slot keeps the cable locked safely inside the end cap. These Cable End Caps are applied with rubber gloves.

LIGHTNING ARRESTER COVERS are made from Type II orange SALCOR®. The slot allows the cap to fit directly over the energized lightning arrester and the line connection. Lightning Arrester Covers can be applied with rubber gloves or a hotstick.

CLEAR CABLE COVERS are made from clear PVC round or oval tube. Each cover has a grip all handle attachment for installation with an insulated grip all hotstick.

CLEAR PVC STRESS CONE COVER has a grip all attachment that allows this cover to be installed with an insulated grip all hotstick. The inspection window can be opened for testing with a voltage sensor.



CAT. NO.	ASTM Class	TYPE	DIMENSIONS in. (mm) I.D. x Length	FOR USE W/ CABLE SIZE	WEIGHT EA. lbs. (kgs)
SELF-SECURING CABLE END CAPS					
29003	2	II	3.19 (81) X 9.13 (486)	-	2.27 (1.0)
117	2	II	1.38" x 10" (35 x 254)	#4/0 to 500 MCM	.50 (.23)
173	2	II	.81" x 6" (21 x 152)	#4 to #4/0 AWG	.25 (.1)
177	2	II	2.25" x 12" (57 x 305)	350 to 750 MCM	.75 (.35)
178	2	II	3.19" x 16" (81 x 406)	800 to 1000 MCM	1.5 (.7)
LIGHTNING ARRESTER COVERS					
536A	4	II	4.5 x 15 (113 x 375)	-	3 (1.4)
636A	4	II	5.5 x 22 (138 x 550)	-	5 (2.3)

These Covers comply with current ASTM D1049 specifications.

SU System Applicators

The Extended Lip SU System

THE EXTENDED LIP SU SYSTEM may be installed by using rubber gloves or hot sticks on distribution voltages up to 34.5kV.

The Shot Gun Eye Assembly for the SU System equipment may be purchased separately for installation on the appropriate cover-up device.

The addition of these eye assemblies enable all SU System equipment to be easily handled with a standard shotgun stick.

CAT. NO.	DESCRIPTION	FOR USE W/ HOT STICK STYLE	WEIGHT EA. lbs. (kgs)
2323	Shot Gun Eye Assembly for SU Hose / OR134	Shot Gun	1 (.4)
2359	Eye Assembly for SU System Insulator Covers	Shot Gun	.5 (.2)



Shotgun Assembly attaches easily to SU Systems



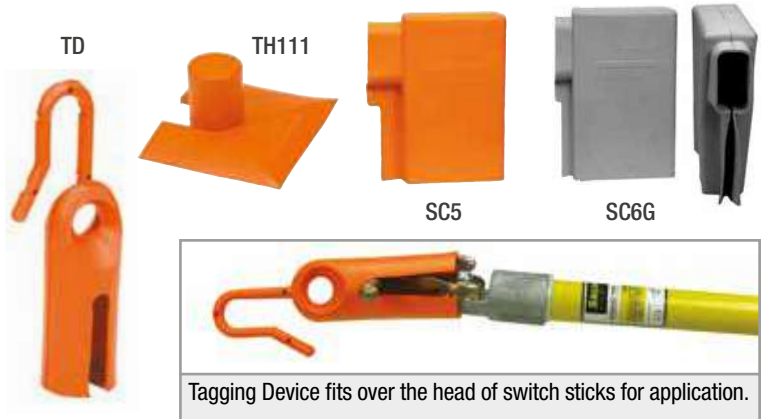
Shotgun Assembly allows easy installation

Special Equipment

THE TD TAGGING DEVICE, made from molded orange SALCOR®, is used to tag opened disconnect switches. It allows “Hold” cards to be placed on the circuit and fits over the heads of 1-1/4” (32 mm) and 1-1/2” (38 mm) switch sticks.

THE TH111 METER TERMINAL COVER is used to avoid accidental contact with energized parts on 100 and 200 Amp single phase meter sockets. Made of orange SALCOR®.

SPADE COVERS are easily installed to provide temporary insulation when working in padmount transformers and other electrical apparatus. If spade covers are securely held in place, they may be left on spades or connectors indefinitely for front end protection. The larger SC5, SC6, or SC6G are also used to cover primary elbows as well as the larger and longer multiple lead primary and secondary fittings and lugs used in underground enclosures and vaults. Molded from flexible SALCOR®, they have excellent aging and weathering characteristics. The opening at the top end of the slot holds the cover onto the terminal. Wide lips extending along the slot provide additional protection over the connection.



CAT. NO.	DESCRIPTION Dimensions in. (mm)	WEIGHT EA. lbs. (kg)
TAGGING DEVICE		
TD	7.25 (184) long slot: 2.13 x .63 (5 4 x 16) cup: 2.5 x 1.75 (64 x 44)	.25 (.1)
METER TERMINAL COVER		
TH111	3 x 3.5 x 1.5 (76 x 89 x 38)	1.6 oz. (.05)
SPADE COVER - CLASS 2, TYPE II, ASTM D1049		
SC4	2.75 x 4.4 x 10.75 (70 x 112 x 273), 1 (25.4) Lip Extension	1.4 (.5)
SC5	3 x 6 x 10 (76 x 152 x 254), 2 (51) Lip Extension	2 (.9)
SC6	3 x 6 x 10 (76 x 152 x 254), 1.25 (32) Lip Extension	1.4 (.5)
SC6G	3 x 6 x 10 (76 x 152 x 254), 1.25 (32) Lip Extension	1.4 (.5)

Blanket Accessories

Clamp Pins

In addition to other uses in the utility industry, **BLANKET CLAMP PINS** can be effectively used to hold insulating blankets and rubber cover-up in place. Springs are used for tension while extra holes in the body of the pin are used to grip conductors and prevent line hose from sliding.

The Salisbury **21 BLANKET PIN** has been improved to make it the most versatile pin on the market. Although the 21 pin always opened to accommodate just about any width needed, it has been redesigned to open to a full 5 1/2 inches. That's the widest of any standard plastic pin in the industry. To accommodate application using a hot stick, the ends of the pin have been tapered to fit into the end of any brand clampstick. This allows the same 21 pin to be installed in line with the stick.

Blanket pins are made of fiberglass reinforced nylon or sliver-free hardwoods. Most pins have molded rubber tips to increase slip resistance.

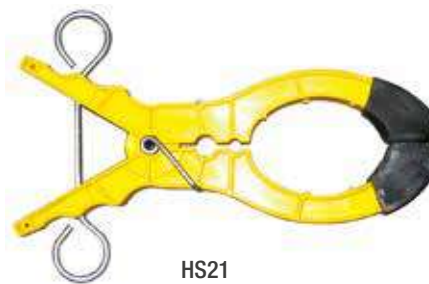


CAT. NO.	DESCRIPTION	LENGTH in. (mm)	JAW OPENING in. (mm)	WEIGHT EA. lbs. (kgs)
NYLON CLAMPS				
HS21	Nylon w/ pin boots	9.5 (241)	5 (127)	.37 (.17)
21	Nylon w/ pin boots	9.5 (241)	5 (127)	.37 (.17)

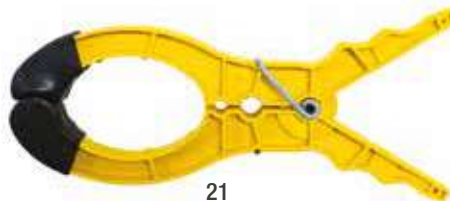
Optionally applied with Shotgun Stick



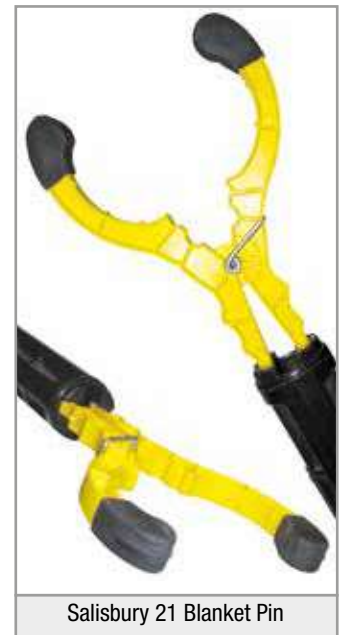
Clamp Pins help line hose from slipping



HS21



21



Salisbury 21 Blanket Pin

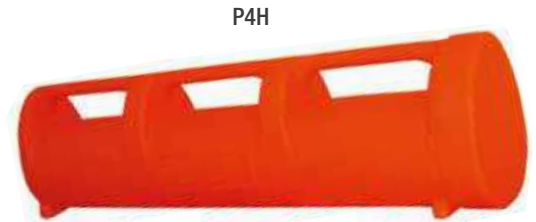
Blanket Accessories

Blanket storage

BLANKET CANISTERS are molded in bright orange, hi-impact, polyethylene to protect insulating blankets when not in use. A tight-fitting cap is secured to the canister with polypropylene rope.

Salisbury's **P4H BLANKET CANISTER** Revolutionizes the way you'll store your blankets. The P4H canister has a sturdier construction than the regular P4, with integrated feet to keep the canister from rolling while being transported by truck or stored at the workplace. The ergonomic handle runs the entire length of the canister, making lifting and carrying up to four 36" x 36" blankets much easier. Slots are provided within the canister to allow it to be secured in buckets or on trucks.

STORAGE TIPS: When more than one blanket is stored, the most convenient method of loading is to roll and insert each blanket into the canister independently. A single blanket can then be removed without removing the others. For maximum useful life, never fold, crease or compress insulating blankets while in storage.



P4H

CAT. NO.	DESCRIPTION	FITS BLANKET MAX SIZE in.(mm)	DIMENSIONS in. (mm)	CAPACITY	WEIGHT EA. lbs. (kgs)
P4H	Canister	36 (914)	7 x 37 (178 x 940)	1-4 blankets	3.5 (1.6)

Insulating Blankets - Eyelet Style

HIGH QUALITY Salisbury's Type II SALCOR® blankets are of the highest quality available today. They will hold their color and flexibility, and will maintain physical properties and dielectric strength, required by ASTM standard, in the field longer than any other blanket on the market.

OZONE RESISTANT The Orange SALCOR® is manufactured from a well researched blend of prime EPDM, which is naturally resistant to ozone. This blend of Prime EPDM offers superb flexibility; similar to that of a Type I natural rubber blanket. This ensures the Salisbury Type II SALCOR® blanket will pass the ASTM D 1048 Ozone Tests.

EYELET STYLE INSULATING BLANKETS were designed to be easily secured in place by using Blanket Pins, Snap Buttons or Ty-Straps Eyelet blankets are flexible and feature a reinforced beaded edge and eyelets for added strength and tear-resistance.

CAT. NO.	EYELETS/ Style	ASTM CLASS	TYPE	SIZE in. (mm)	COLOR	WEIGHT EA. lbs. (kgs)
300E*	6	2	I	36 x 36 (914 x 914)	Black	8 (3.6)
900E	6	4	II	36 x 36 (914 x 914)	Orange	8 (3.6)

All blankets comply with current ASTM D1048 specifications.

* Type I IEC Compliant blankets



300 (36 x 36)

900E (36 x 36)

Arc Suppression Blanket

Salisbury by Honeywell Arc Protection Blankets

Salisbury by Honeywell Arc Protection Blankets are available in 4' x 5' and 4' x 8' sizes. Each size is available in 15 kA or 40 kA ratings. The 15 kA blankets include convenient loops and the 40 kA blankets include grommets to easily keep the blanket in place. These new blankets are sold individually or with a storage bag or storage bag and tie-strap kit.

The Arc Suppression Blanket is used as a barrier for protection from the explosive and incendiary effects of electrical arcs and flashes. These hazardous electrical discharges can be caused by faults in cables, in cable splices and joints, and at transformer terminals, or they may be generated by the operation of switch gear, circuit breakers and lightning arrestors. The blanket can be used for worker protection in underground vaults, switchyards and other locations where electrical equipment poses a risk of exposure to explosive electrical discharges.

NOTE: These products do not eliminate or reduce requirements for proper PPE for arc flash protection

WARNING: Because of the un-predictability of electrical arcs, the Arc Protective Blanket (APB) may not totally contain the arc and flashes, but only reduce or limit explosive and incendiary effects. Properly installed APB's can reduce the risk of injury from the blast and heat. They do not provide any personal protection for hearing, eyes, smoke inhalation, hazardous gas inhalation or burns.

WARNING: Arc Protective Blankets are not designed for electrical insulating protection. Using the Arc Protective Blanket for electrical insulating protection can result in serious injury or death.



ARC45-15



ARC45-40

MEETS ASTM F2676 STANDARD ASTM Standard for Testing of Arc Blankets

Arc protective blankets are used in many electrical applications to protect workers who are stationed near energized electrical parts. While these blankets have been used for years, there have been no testing criteria for their evaluation. A ASTM International standard used to determine the effectiveness of arc protective blankets in suppressing the combined effect of an arc flash and an arc blast. This standard gives companies the ability to evaluate blankets with a repeatable standard that can be done at many test labs using an electric arc and a high speed camera.

CAT. NO.	DIMENSIONS in. (mm)	DESCRIPTION	WEIGHT EA. lbs. (kgs)
ARC45-15	48 x 60 (1219 x 1524)	15 kA rating - navy blue	10 (4.5)
ARC45-40	48 x 60 (1219 x 1524)	40 kA rating -gray/khaki	10 (4.5)
ARC48-15	48 x 96 (1219 x 2438)	15 kA rating - navy blue	15 (6.8)
ARC48-40	48 x 96 (1219 x 2438)	40 kA rating -gray/khaki	15 (6.8)
ARC142	1 x 42 (25.4 x 1067)	Single Kevlar Strap w/ Buckle	
ARC142-K16	-	ARC48 Strap Kit With 16 Buckles	4 (1.8)
ARC142-K12	-	ARC45 Strap Kit With 12 Buckles	3 (1.4)

Kits

200 Series Kits

IEC STANDARD COMPLIANT EARTHING ASSEMBLIES for medium voltage overhead lines can be used on conductor diameters up to 18 mm. Kits include 3 automatic clamps, copper cable with PVC or silicone jackets and a cluster plate.

These convenient Salisbury earthing kits include a serial jumper configuration with automatic spring clamps and a cluster plate. The combination of the cluster plate and automatic spring clamps allow for easy placement without the need to rotate the hotstick tool. Manufactured to meet the IEC 61230 standard.

- Spring loaded clamps designed for easy application
- Lightweight
- Meets IEC 61230 standard



CAT NO.	DESCRIPTION	PRODUCT INFORMATION			
		Current Capability	Overhead Conductor Diameter	Cable Jacket	Weight (kg)
MEDIUM VOLTAGE KIT					
ESTML200.U	3EA #ESMTM-LAR6 Automatic Clamp 1EA #ESMTM-JE.M Clamp 1EA #ESATM-JH10 Ground Rod 1EA #ESATM-BPT Vinyl Carrying Case 1EA #ESATM-SP6.U Cluster Plate 1EA #ESATM-CMA AL Storage Reel 1 X 15m #ESCTC-16P 16 mm ² Copper PVC Jacket Cable 2 X 2m #ESCTC-25P 25 mm ² Copper PVC Jacket Cable 2EA #ESATT-16-2 Double Compression Ferrule for 16 mm ² Cable 4EA #ESATT-25-2 Double Compression Ferrule for 25 mm ² Cable	6 kA/1s	0-18 mm	PVC	9.7
ESTML201.U	3EA #ESMTM-LAR6 Automatic Clamp 1EA #ESMTM-JE.M Clamp 1EA #ESATM-JH10 Ground Rod 1EA #ESATM-BPT Vinyl Carrying Case 1EA #ESATM-SP6.U Cluster Plate 1EA #ESATM-CMA AL Storage Reel 1 X 15m #ESCTC-16S 16 mm ² Copper Silicone Jacket Cable 2 X 2m #ESCTC-25S 25 mm ² Copper Silicone Jacket Cable 2EA #ESATT-16-2 Double Compression Ferrule for 16 mm ² Cable 4EA #ESATT-25-2 Double Compression Ferrule for 25 mm ² Cable	6 kA/1s	0-18 mm	Silicone	9.7
ESTML250.U	3EA #ESMTM-LAR6 Automatic Clamp 1EA #ESMTM-JE.M Clamp 1EA #ESATM-JH10 Ground Rod 1EA #ESATM-BPT Vinyl Carrying Case 1EA #ESATM-SP6.U Cluster Plate 1EA #ESATM-CMA AL Storage Reel 1 X 15m #ESCTC-25P 25 mm ² Copper PVC Jacket Cable 2 X 2m #ESCTC-35P 35 mm ² Copper PVC Jacket Cable 2EA #ESATT-25-2 Double Compression Ferrule for 25 mm ² Cable 4EA #ESATT-35-2 Double Compression Ferrule for 35 mm ² Cable	8 kA/1s	0-18 mm	PVC	11.4
ESTML251.U	3EA #ESMTM-LAR6 Automatic Clamp 1EA #ESMTM-JE.M Clamp 1EA #ESATM-JH10 Ground Rod 1EA #ESATM-BPT Vinyl Carrying Case 1EA #ESATM-SP6.U Cluster Plate 1EA #ESATM-CMA AL Storage Reel 1X15M #ESCTC-25S 25 mm ² Copper Silicone Jacket Cable 2X2M #ESCTC-35S 35 mm ² Copper Silicone Jacket Cable 2EA #ESATT-25-2 Double Compression Ferrule for 25 mm ² Cable 4EA #ESATT-35-2 Double Compression Ferrule for 35 mm ² Cable	8 kA/s	0-18 mm	Silicone	11.4

Kits

300 Series Kits

IEC STANDARD COMPLIANT EARTHING ASSEMBLIES for medium voltage overhead lines can be used on conductor diameters up to 22 mm. Kits include 3 automatic clamps, copper cable with PVC or silicone jackets and a cluster plate.

These assemblies are available in convenient kits which include a serial jumper configuration with automatic spring clamps and a cluster plate. The combination of the cluster plate and automatic spring clamps allow for easy placement without the need to rotate the hotstick tool. All assembly kits are manufactured to meet the IEC 61230 standard.

- Spring loaded clamps designed for easy application
- Lightweight
- Meets IEC 61230 standard



CAT NO.	DESCRIPTION	PRODUCT INFORMATION			
		Current Capability	Overhead Conductor Diameter	Cable Jacket	Weight (kg)
MEDIUM VOLTAGE KIT					
ESTML300.U	3EA #ESMTM-LAR7 Automatic Clamp 1EA #ESMTM-JE.M Clamp 1EA #ESATM-JH10 Ground Rod 1EA #ESATM-BPT Vinyl Carrying Case 1EA #ESATM-SP7.U Cluster Plate 1EA #ESATM-CMA AL Storage Reel 1 X 15m #ESCTC-16P 16mm ² Copper PVC Jacket Cable 2 X 2m #ESCTC-25P 25mm ² Copper PVC Jacket Cable 2EA #ESATT-16-2 Double Compression Ferrule for 16mm ² Cable 4EA #ESATT-25-2 Double Compression Ferrule for 25mm ² Cable	6 kA/1s	0-22 mm	PVC	10.5
ESTML301.U	3EA #ESMTM-LAR7 Automatic Clamp 1EA #ESMTM-JE.M Clamp 1EA #ESATM-JH10 Ground Rod 1EA #ESATM-BPT Vinyl Carrying Case 1EA #ESATM-SP7.U Cluster Plate 1EA #ESATM-CMA AL Storage Reel 1 X 15m #ESCTC-16S 16mm ² Copper Silicone Jacket Cable 2 X 2m #ESCTC-25S 25mm ² Copper Silicone Jacket Cable 2EA #ESATT-16-2 Double Compression Ferrule for 16mm ² Cable 4EA #ESATT-25-2 Double Compression Ferrule for 25mm ² Cable	6 kA/1s	0-22 mm	Silicone	10.5
ESTML350.U	3EA #ESMTM-LAR7 Automatic Clamp 1EA #ESMTM-JE.M Clamp 1EA #ESATM-JH10 Ground Rod 1EA #ESATM-BPT Vinyl Carrying Case 1EA #ESATM-SP7.U Cluster Plate 1EA #ESATM-CMA AL Storage Reel 1 X 15m #ESCTC-25P 25mm ² Copper PVC Jacket Cable 2 X 2m #ESCTC-35P 35mm ² Copper PVC Jacket Cable 2EA #ESATT-25-2 Double Compression Ferrule for 25mm ² Cable 4EA #ESATT-35-2 Double Compression Ferrule for 35mm ² Cable	8 kA/1s	0-22 mm	PVC	12.2
ESTML351.U	3EA #ESMTM-LAR7 Automatic Clamp 1EA #ESMTM-JE.M Clamp 1EA #ESATM-JH10 Ground Rod 1EA #ESATM-BPT Vinyl Carrying Case 1EA #ESATM-SP7.U Cluster Plate 1EA #ESATM-CMA AL Storage Reel 1X15M #ESCTC-25S 25mm ² Copper Silicone Jacket Cable 2X2M #ESCTC-35S 35mm ² Copper Silicone Jacket Cable 2EA #ESATT-25-2 Double Compression Ferrule for 25mm ² Cable 4EA #ESATT-35-2 Double Compression Ferrule for 35mm ² Cable	8 kA/1s	0-22 mm	Silicone	12.2

Medium Voltage Overhead Lines

Spring loaded clamps, cable and ferrules

SPRING LOADED AUTOMATIC CLAMPS are designed for medium voltage overhead lines.

Salisbury offers two spring loaded clamps that meet IEC 61230 standards. The ESMTM-LAR6 clamp is for use on overhead lines and has a fault current capability of 8 kA/1s for conductor sizes from 0 to 18 mm. The ESMTM-LAR7 clamp is for use when working on overhead lines and has a fault current capability of 8 kA for conductor sizes from 0 to 22 mm. The ESMTM-JE.M earthing clamp is an integral part of the ground reel and provides proper connection to the ground rod.

- Spring loaded clamps are easy to apply to an overhead line
- Conveniently positioned eyelet at the top of the clamps allow for easy removal from the conductor
- Lightweight

Salisbury **EARTHING CABLE** is constructed of strands of high quality copper and protected by either an extra flexible silicone or a more durable PVC jacket. The service temperature for PVC cable is -20° to 70° C. The service temperature for silicone cable is -40° to 200° C. It is recommended to use silicone jacketed cable in confined spaces and in high and low temperature weather conditions.

* Earthing cable is sold per meter. Minimum purchase required. Please contact customer service for additional information.

FERRULES are crimped on the conductor strands only, providing a low resistant connection between the clamp and the cable. These ferrules are manufactured of tin plated, 99.9% copper.

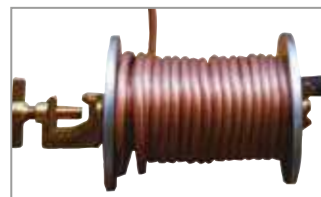


ESMTM-LAR7

ESMTM-LAR6



ESMTM-JE.M



ESATM-CMA
With Earthing Cable
and ESMTM-JE.M
Ground Clamp

CAT NO.	DESCRIPTION	PRODUCT INFORMATION			
EARTHING CLAMPS		Weight	Current Capability	Overhead Conductor Dia.	Material
ESMTM-LAR6	Automatic spring loaded clamp for medium voltage overhead lines. Clamp is used with the 200 series earthing kits.	0.25 kg	8 kA/1s	0-18 mm	Aluminum
ESMTM-LAR7	Automatic spring loaded clamp for medium voltage overhead lines. Clamp is used with the 300 series earthing kits.	0.40 kg	8 kA/1s	0-22 mm	Aluminum with Plated Steel Jaw
ESMTM-JE.M	Ground clamp for medium voltage overhead lines. Clamp is used with both the 300 and 200 series earthing kits.	0.55 kg	6 kA/1s	0-22 mm	Bronze
IEC EARTHING CABLE		Size (mm)	Jacket	Current Capacity kA/1sec.	
ESCTC-16P	Extra flexible copper cable with PVC jacket	16	PVC	3.5	
ESCTC-16S	Extra flexible copper cable with silicone jacket	16	Silicone	3.5	
ESCTC-25P	Extra flexible copper cable with PVC jacket	25	PVC	6	
ESCTC-25S	Extra flexible copper cable with silicone jacket	25	Silicone	6	
ESCTC-35P	Extra flexible copper cable with PVC jacket	35	PVC	8	
ESCTC-35S	Extra flexible copper cable with silicone jacket	35	Silicone	8	
FERRULES		Conductor Size (mm ²)	Material	Weight (kg)	
ESATT-16-2	Double compression copper ferrule	16	Copper	0.07	
ESATT-25-2	Double compression copper ferrule	25	Copper	0.012	
ESATT-35-2	Double compression copper ferrule	35	Copper	0.012	

Accessories and tools

Accessories and tools

The **STORAGE REEL** is an easy and convenient way to store cable. Cable reels are used to connect the earthing system to the ground rod.

The **CLUSTER PLATE** is designed to assist the linemen when applying and removing the clamps from overhead conductors.

A **HEXAGONAL GROUND** rod is used on rocky or hard surfaces to connect the earthing assembly to the earth. Made of galvanized steel.

The earthing assembly **STORAGE BAG** easily transports and protects earthing assemblies.

HOTSTICK TOOLS can be used to safely assist a lineman when applying the earthing assembly on to the conductor. The universal head conveniently connects the cluster plate attachment to the hotstick. Salisbury hotsticks meet ASTM F711 standard specifications for FRP and tubes used in live line tools and IEC 855.

* Please visit www.salisburybyhoneywell.com for a complete list of Salisbury hotstick tools.



CAT NO.	DESCRIPTION	PRODUCT INFORMATION			
STORAGE REEL		Width (mm)	Reel Diameter (mm)	Material	Weight (kg)
ESATM-CMA	Aluminum Cable Storage Reel	175	137	Aluminum	0.8
CLUSTER PLATE					Weight (kg)
ESATM-SP6.U	Cluster plate for 3 ESMTM-LAR6 clamps, universal attachment				0.25
ESATM-SP7.U	Cluster plate for 3 ESMTM-LAR7 clamps, universal attachment				0.25
GROUND ROD					Weight (kg)
ESATM-JH10	Hexagonal ground rod for 200 and 300 series earthing kits				2.50
STORAGE BAG			Dimensions		Weight (kg)
ESATM-BPT	Vinyl storage bag carrying case		420x 160x 260 mm		0.9
UNIVERSAL SWITCH STICK			Dimensions		Weight (kg)
4213	4' Universal Fiberglass Switch Stick		31.7 mm x 1.2 m		1.2

Insulated tool kits

DELUXE MAINTENANCE TOOL KIT

CAT. NO.	DESCRIPTION
TK30	29 pcs. Includes: Slotted screwdrivers: 1/8 x 2", 3/16 x 6", 1/4 x 4" Phillips screwdriver: #1 x 3", #2 x 6" Torque Wrench 3/8"drive 10"Long 30-150 In/Lb 3/8" Drive reversible ratchet 3" and 6" Extensions, 3/8"drive, 4nm -23nm 8 pcs. 3/8" to 13/16" Deep 12 pt. Socket set, 3/8" drive 8 pcs. 3/8" to 13/16" Box end wrench set 7-1/2" Diagonal cutting Pliers 8" Needle nose Pliers 9" Lineman Pliers Mini flashlight In a high impact plastic tool box



BASIC ELECTRICIAN ROLL

CAT. NO.	DESCRIPTION
TK9	9 pcs. Includes: Slotted screwdrivers: 3/16 x 4", 3/16 x 6", 1/4 x 6" Phillips screwdrivers: #1 x 3", #2 x 4" 8" Needle nose Pliers 7-1/2" Diagonal cutting Pliers 9" Lineman Pliers Combination stripper / crimper Pliers In a tool roll bag



**NON-SPARKING & NON MAGNETIC
BASIC ELECTRICIAN ROLL**

CAT. NO.	DESCRIPTION
TK10NS	9 pcs. includes: 3/16 x 4 Slotted screwdriver 1/4 x 6 Slotted screwdriver 5/16 x 6 Slotted screwdriver #2 x 4 Phillips screwdriver #1 x 3 Phillips screwdriver 8" Needle nose Pliers 7 1/2" Diagonal Pliers 8" Lineman Pliers 10" Water pum Pliers In a tool roll bag



**INTRODUCING
NEW GREEN COLOR
OUTER COATING OVER
YELLOW COATING.**



FRP Clampsticks

Clampsticks

EXTERNAL ROD CLAMPSTICKS are constructed of closed cell foam-filled tubular fiberglass in accordance with ASTM standard F711. The hook's operating rod, made of solid 3/8" (9.5 mm) dia. fiberglass, is mounted on the exterior of the tool so that it can be easily wiped down prior to use.

These Clampsticks meet ASTM F1825 Standards.

CAT. NO.	LENGTH		WEIGHT EA. lbs. (kgs)
	feet	meters	
EXTERNAL ROD CLAMPSTICK			
4007*	4' 8"	1.32	4.2 (1.9)
4010*	8' 8"	2.54	6.2 (2.8)

Tough Thermoplastic head ferrule

EZ Grip plastic hand grip

Wide opening 15/16" (23.8 mm)

Stainless steel hook

Heavy duty rubber end cap



Side Opening Hook



9840 Splined
Universal Head

External Rod Clampstick

Sticks

Universal Switch Sticks

One, two and three section hotsticks have a standard splined universal head. 1.25" dia. switch sticks are supplied with a #9971 Prong. A Heavy Duty Disconnect Prong #9969 is supplied on all others.

CAT. NO.	DIMENSIONS: DIA. X LENGTH		WEIGHT EA.	
	in x ft.	mm x m	lbs.	(kgs)
ONE SECTION				
4213	1.25 x 4	31.7 x 1.2	2.6	(1.2)
4215	1.25 x 8	31.7 x 2.4	4.1	(1.9)



FRP Splices with Button

Universal Switch Stick



Rescue Hook

INSULATED RESCUE HOOK - Salisbury's insulated rescue hook is an invaluable tool for any workplace. It is used to release a victim from contact. Confined spaces, in vaults, or just near electrical cabinets and switch gear are some of the places where this tool is a must. Insulated rescue hooks feature a foam-filled, fiberglass reinforced handle for superior electrical insulation and a coated, heat treated body hook with an 18" opening and are made in accordance with ASTM Standard F711. The stick is available in the standard lengths of 6 and 8 feet. Other lengths are available as a special order. Contact us with your requirements.

CAT. NO.	DESCRIPTION / ft. (m)	WEIGHT
		lbs. (kgs)
INSULATED RESCUE HOOK		
24401	Rescue Hook 6' (1.8 m) length	4.5 (2)
24403	Rescue hook 8' (2,44m) length	5.5 (2.5)

24401
Rescue Hook
(Shown with Tool Holder)



Bushing Covers

Silicone Bushing Covers

Standard Salisbury **BUSHING COVERS** and Salisbury **TRI-PORT® BUSHING COVERS** are made from Ozone and UV resistant silicone rubber which maximizes their outdoor durability and tracking resistance. These covers have been accepted by Rural Utilities Service (RUS).

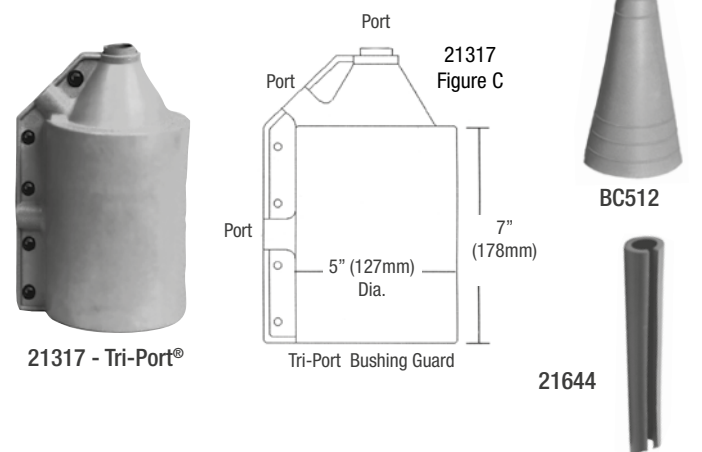
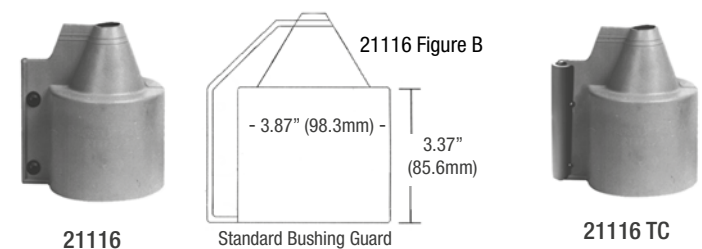
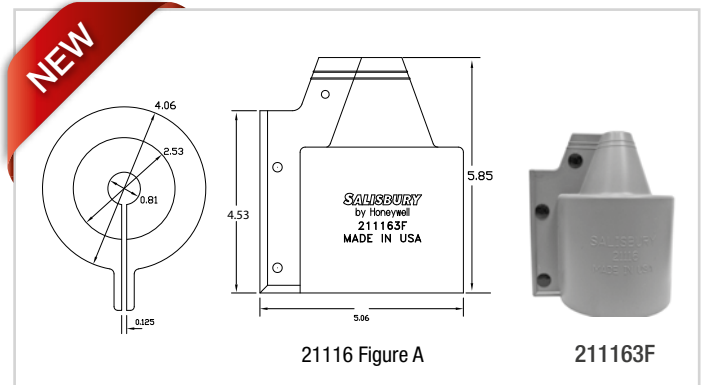
Bushing Covers protect against wildlife contacts between energized equipment and ground by insulating exposed energized bushing parts.

STANDARD AND TRI-PORT® BUSHING COVERS interlock with the top weathershed of the bushing and are securely fastened by inserting lock buttons (provided).

The **211163F** new bushing cover option provides added protection against animal caused outages. The third fastener (lock button) secures the cover firmly onto the bare conductor or stinger cover further insulating energized equipment. The **21116TC**, Bushing Cover includes the 21644 Tube Closure. The **21644** Tube Closure provides an easier and quicker way to securely close the standard bushing cover

Bushing Covers can be installed without disconnecting equipment using rubber insulating gloves. Covering a small area of the lead wire, the opening can be trimmed to accommodate larger wires or 5/8" and 3/4" Salisbury Stinger Covers.

CONE BUSHING COVERS For complete 360 degree coverage, the BC512 is the right choice. These covers come complete with upper and lower trim rings for a custom fit size and internal ribs for added air flow and water drainage. Made from Ozone and UV resistant silicone rubber, the BC512 permanently protects bushings from all sources of potential outages. Installation requires de-energizing equipment.

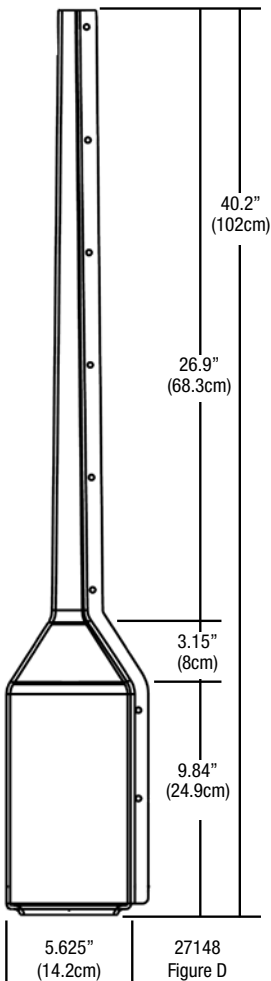


CAT. NO.	DESCRIPTION	DIMENSIONS in. (mm)	QUANTITY	FLASHOVER TEST PHASE TO GROUND VOLTAGE	WEIGHT EA. lbs. (kgs)
BUSHING COVERS					
21116	Cover Only w/ 2 lock buttons	See figure B	24 pcs.	16 kV	16 (7.3)
211163F	Cover Only w/ 3 lock buttons	See figure A	24 pcs.	16 kV	16 (7.3)
21116TC	Cover Only w/ 21644	See figure A	24 pcs.	16 kV	16 (7.3)
21644	Tube Closure	-	-	-	-
21183	Cover Kit w/Stinger Cover	.375 x 18 (9.5 x 457)	24 pcs.	n/a	20 (9)
BC512	Cone Bushing Cover	12H x 5 W (305 H x 127 W)	1	n/a	1.5 (.7)
TRI-PORT® BUSHING COVERS					
21317	Cover Only	See Figure C	24 pcs.	16 kV	28 (12.7)
24140	Cover Kit w/ Stinger Cover	3/8 x 18 (9.5 x 457)	24 pcs.	n/a	35 (16)

Bushing Covers

PVC Bushing Cover System

COMPLETE BUSHING-STINGER COVER This product is made from UV resistant PVC plastic to maximize the outdoor durability. The Complete Bushing/Stinger Cover interlocks with the top weather shed of the bushing and securely fastens by inserting lock buttons (provided). The Complete Bushing/Stinger Cover can be installed without disconnecting equipment using rubber insulating gloves. This product offers an integrated stinger cover which will cover the lead wire for an easy solution.



Bushing-Stinger Cover Cross-Section



Bushing-Stinger Cover Cross-Section

CAT. NO.	DESCRIPTION	DIMENSIONS in. (mm)	QUANTITY	PHASE TO GROUND FLASHOVER TEST VOLTAGE	WEIGHT EA. lbs. (kgs)
27148	COMPLETE BUSHING-STINGER COVER Bushings Cover & Stinger Cover Unit	See figure D	1 pc	-	48 (21.9)

Stinger Covers

The Salisbury Stinger Covers SC and SCS series are extruded in EPDM or Silicone Rubber and designed for field installation over bare conductors. The covers provide electrical insulation and protection for phase to phase and phase to ground flashover that is caused by wildlife contact. Accepted by (RURAL Utility Services) RUS.

NEW 20kV Silicone Stinger Covers

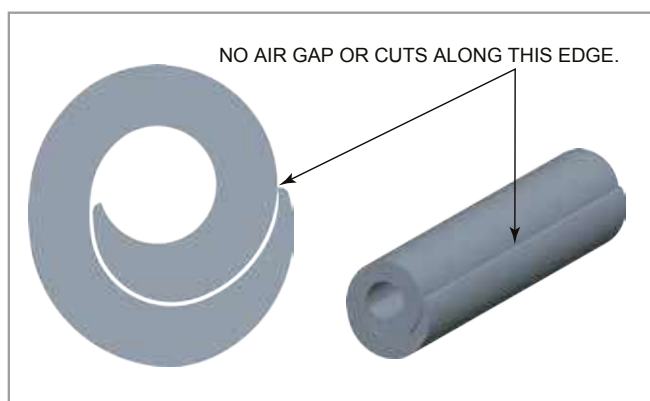
HIGH VOLTAGE WILD LIFE OUTAGE PROTECTION CONDUCTOR COVER

NEW SILICONE STINGER COVERS are suitable for applications up to 20kV Phase to Ground. The new cover design offers improved electrical insulation for phase to phase and phase to ground protection. The covers are extruded with a tapered profile specifically designed to overlap onto itself and over the conductor further improving the dielectric properties and conductor protection. The new stinger covers are manufactured using silicone rubber which has excellent high and low temperature properties. They are designed to resist the test of time, sun and weather while keeping assets protected.

The stinger cover can be installed without disconnecting the lead wire from the bushing. Stinger covers are available in six diameters and are easily cut down to the length needed in the field.

SILICONE STINGER COVER FEATURES:

- Suitable for applications up to 20kV phase to ground
- Six sizes available & will fit conductors up to 1.25" dia.
- Improved pliability at greater temperature ranges -40° C to 200° C
- Excellent UV & Ozone resistance
- Unique design profile
- Excellent conductor protection and fit
- Easy slip on installation, no tool required
- Flexibility of covers facilitate overhead installation on tight bends. Ideal for substation and distribution applications



Stinger Cover

NEW 20kV Silicone Stinger Cover

SPECIFICATIONS

PHYSICAL PROPERTIES

PROPERTY	SPECIFICATION	TEST METHOD
Material	Silicone Rubber	N/A
Color	Gray	N/A
Tensile Strength	600 PSI min	ASTM D-638
Elongation	≥200%	ASTM D-412
Durometer	60 +/-8	ASTM D2240
Temperature	-40°C to 200°C	N/A
Tear resistant	75 PPI min	N/A
Ozone resistant	No crack @ 40C°(107°F), 70 hrs	N/A
UV resistant (ASTM G-26)	Yes	N/A
Flammability rating (provided by material supplier)	UL 94 V-0	N/A
Comparative Tracking Index	> 500 V	ASTM D-3638
Low Temperature Torsional Stiffness	Pass	ASTM D 1053-92E

ELECTRICAL PROPERTIES

PROPERTY	SPECIFICATION	TEST METHOD
Dielectric Strength	≥ 300 V/mil (118 kV/cm)	ASTM D149
Flash over rating	Refer to ordering information	ASTM D1050 18.2 Electrical Flashover test
Volumetric resistivity	≥1 x 10 ¹⁴ Ohm/cm	N/A



Enhanced cover profile allows for easy "slip on" installation.

ORDERING INFORMATION

CAT. NO.	I.D. in. (mm)	THICKNESS in. (mm)	FLASHOVER TEST		QUANTITY ft. (m)	WEIGHT lbs. (kgs)	CARTON SIZE in. (mm)
			PHASE TO GROUND (kV)	PHASE TO PHASE (kV)			
38-25SCS	3/8 (9.5)	.200 (5.08)	20	35	25 (7.62) coil	10 (4)	18 x 18 x 6 (457.2 x 457.2 x 154.2)
38-50SCS	3/8 (9.5)	.200 (5.08)	20	35	50 (15.24) coil	20 (9)	18 x 18 x 6 (457.2 x 457.2 x 154.2)
50-50SCS	1/2 (12.7)	.200 (5.08)	20	35	50 (15.24) coil	23 (10)	20 x 20 x 8 (508 x 508 x 203.2)
58-25SCS	5/8 (15.9)	.200 (5.08)	20	35	25 (7.62) coil	13 (5)	18 x 18 x 6 (457.2 x 457.2 x 154.2)
58-50SCS	5/8 (15.9)	.200 (5.08)	20	35	50 (15.24) coil	26 (11)	20 x 20 x 8 (508 x 508 x 203.2)
34-25SCS	3/4 (19.1)	.200 (5.08)	20	35	25 (7.62) coil	16 (7)	18 x 18 x 6 (457.2 x 457.2 x 154.2)
34-50SCS	3/4 (19.1)	.200 (5.08)	20	35	50 (15.24) coil	32 (14)	20 x 20 x 8 (508 x 508 x 203.2)
100-25SCS	1 (25.4)	.200 (5.08)	20	35	25 (7.62) coil	18 (8)	20 x 20 x 8 (508 x 508 x 203.2)
125-25SCS	1 ¼ (31.8)	.200 (5.08)	20	35	25 (7.62) coil	18 (8)	20 x 20 x 8 (508 x 508 x 203.2)

Stinger Covers

10-15kV EPDM Stinger Cover

10KV-15KV WILD LIFE OUTAGE PROTECTION CONDUCTOR COVER

EPDM Silicone Stinger Covers are suitable for applications up to 15kV Phase to Ground. The stinger covers are made with EPDM rubber, which is UV and ozone resistant and is applied over the conductor. They are designed to resist the test of time, sun and weather to keep the assets protected. The stinger cover can be installed without disconnecting the lead wire from the bushing. Stinger covers are available in three diameters and are easily cut down to the length needed in the field.

Stinger covers are track resistant and made from **OZONE AND UV RESISTANT SALCOR® ELASTOMER IN A GREY COLOR.** The covers are proven to provide years of reliable service either independently or when used with bushing covers.

EPDM STINGER COVER FEATURES:

- Suitable for applications up to 15kV phase to ground
- Three sizes and multiple packaging options available & will fit conductors up to .75" dia.
- Flexibility of covers facilitate overhead installation on tight bends. Ideal for substation and distribution applications.
- Excellent UV & Ozone resistance

10-15KV EPDM STINGER COVER SPECIFICATIONS

PHYSICAL PROPERTIES

PROPERTY	SPECIFICATION	STANDARD
Material	EPDM	N/A
Color	Gray	N/A
Tensile Strength	600 PSI	ASTM D412
Elongation	500%	ASTM D412
Durometer	78	ASTM D2240

ELECTRICAL PROPERTIES

PROPERTY	SPECIFICATION	STANDARD
Dielectric Testing	486 V/mil (191.3 kV/cm)	ASTM D149
Flash over Rating	Refer to Ordering Information	ASTM D1050



ORDERING INFORMATION

CAT. NO.	I.D. in. (mm)	DIMENSIONS ft (m)	FLASHOVER TEST		QUANTITY	WEIGHT lbs. (kgs)
			PHASE TO GROUND (kV)	PHASE TO PHASE (kV)		
38-2SC	3/8 (9.5)	2 (.61)	10.5	18	25 pcs.	9.5 (4.3)
38-50SC	3/8 (9.5)	50 (15.3)	10.5	18	1 coil	9.5 (4.3)
38-12SC	3/8 (9.5)	12 (3.7)	10.5	18	4 pcs.	9.5 (4.3)
38-18SC	3/8 (9.5)	18" (457mm)	10.5	18	50 pcs.	11 (5)
38-100SC	3/8 (9.5)	100 (30.5)	10.5	18	1 coil	16 (7.25)
58-12SC	5/8 (15.9)	12 (3.7) coil	12.5	22	4 pcs.	22 (10)
58-50SC	5/8 (15.9)	50 (15.3) coil	12.5	22	1 pc.	21 (9.5)
58-100SC	5/8 (15.9)	100 (30.5) coil	12.5	22	1 pc.	45 (20.5)
34-12SC	3/4 (25.4)	12 (3.7) coil	14.9	26	4 pcs.	22 (10)
34-25SC	3/4 (25.4)	25 (7.6) coil	14.9	26	2 pcs.	22 (10)

Instant insulation

INSTANT INSULATION may be installed as a permanent cover to protect against outages caused by weather, trees and animals. Instant Insulation resists ozone and ultraviolet deterioration while remaining flexible even at sub-zero conditions.

Instant Insulation is made of orange or grey SALCOR® elastomer. Instant Insulation is sold in three diameters, each 12 feet in length. Each include six nylon UV resistant bar-lock cable ties to secure it to the conductor.

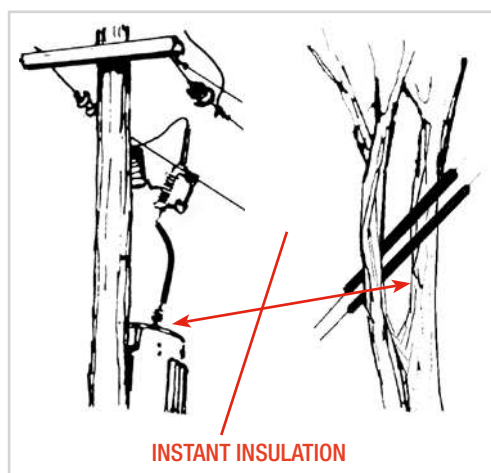
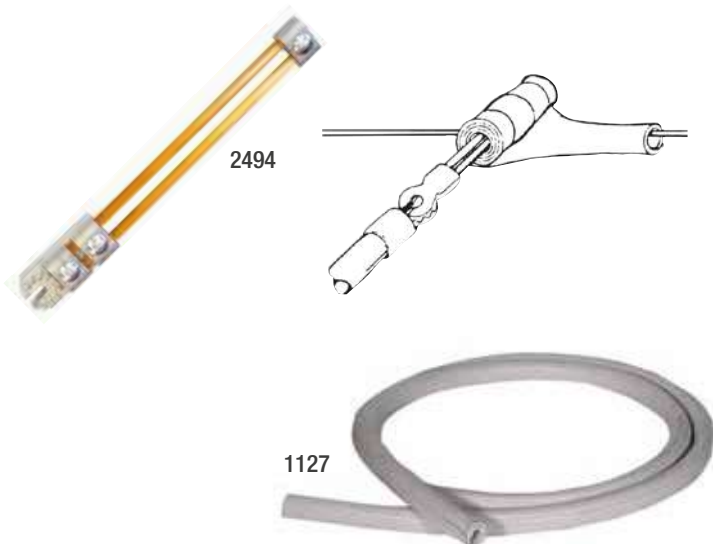
Instant Insulation can be installed using the **2494 APPLICATOR**. To install, insert one end of the Instant Insulation into the applicator prongs, then roll and coil the insulation as shown. Secure the coil end with tape, cable ties, or rubber bands. To install, release the secured end and the Instant Insulation will unroll and enclose the conductor.



NOTE: Instant insulation is currently rated at 20kV per ASTM D1050 18.2 Electrical Flashover Test. material dielectric strength is of 486 V/mil. effective thickness is .15" to .2" when installed.

INSTANT INSULATION 12' / 3.6M LONG

CAT NO.	DIMENSIONS		FLASHOVER TEST		LENGTH ft. (m)	COLOR	WEIGHT EA. lbs. kgs
	in.	mm	PHASE TO GROUND (kV)	PHASE TO PHASE (kV)			
1127	.75 I.D.	19 I.D.	20	34.5	12 (3.6)	Grey	7 (3.2)
1128	.75 I.D.	19 I.D.	20	34.5	12 (3.6)	Orange	7 (3.2)
1129	1.00 I.D.	25 I.D.	20	34.5	12 (3.6)	Grey	8 (3.6)
1130	1.00 I.D.	25 I.D.	20	34.5	12 (3.6)	Orange	8 (3.6)
1131	1.25 I.D.	32 I.D.	20	34.5	12 (3.6)	Grey	10 (4.5)
1132	1.25 I.D.	32 I.D.	20	34.5	12 (3.6)	Orange	10 (4.5)
2494	Universal Hotstick Applicator				1 (.5)		



HONEYWELL SAFETY PRODUCTS LOCAL CONTACTS

FRANCE

Honeywell Safety Products France SAS

Phone: +33 (0)1 49 90 79 79

Fax: +33 (0)1 49 90 71 04

Email: info-france.hsp@honeywell.com

BENELUX

Honeywell Safety Products Benelux BV

Phone: +32 (0)2 728 2117 (BELGIUM)

Tel: +31 (0) 118 656 400 (THE NETHERLANDS)

Fax: +32 (0)2 728 2396

Email: info-benelux.hsp@honeywell.com

GERMANY

Honeywell Safety Products

Deutschland GmbH & Co. KG

Phone: +49 (0) 451-702740

Fax: +49 (0) 451-798058

E-Mail: info-germany.hsp@honeywell.com

SPAIN – PORTUGAL

Honeywell Safety Products Iberica SA

Phone: +34 91 676 45 21

Fax: +34 91 791 52 19

Email: info-spain.hsp@honeywell.com

ITALY

Honeywell Safety Products Italia SRL

Phone: +39 02 89224280

Fax: +39 02 89224250

Email: info-italia.hsp@honeywell.com

NORDIC

Honeywell Safety Products Nordic AB

Phone: +46 42 88 200

Fax: +46 42 73 968

Email: info-nordic.hsp@honeywell.com

POLAND

Honeywell Sp. z o. o.

Phone: +48 12 656 57 31

Fax: +48 12 656 14 54

Email: info-poland.hsp@honeywell.com

HUNGARY

Honeywell Safety Products Hungária KFT

Phone: +36 1 451 44 04 (4376, 4393)

Fax: +36 1 451 43 43

Email: info-hungary.hsp@honeywell.com

INTERNATIONAL

Honeywell Safety Products Europe SAS

Phone: +33 (0)1 49 90 79 79

Fax: +33 (0)1 49 90 71 04

Email: info-export.hsp@honeywell.com

The Honeywell logo is displayed in a bold, red, sans-serif font.